



FD9165-HT-A

Fixed Dome Network Camera

2MP 60fps • Smart Stream III • SNV • WDR Pro • 50M IR • Smart IR II • Smart VCA

- 60 fps @ 1920x1080
- H.265 Compression Technology
- Smart Stream III to Optimize Bandwidth Efficiency
- SNV (Supreme Night Visibility) for Low Light Conditions
- WDR Pro to Provide Extreme Visibility in Extremely Bright or Dark Environments
- Built-in IR illuminators, effective up to 50 meters
- Smart IR II Technology to Avoid Overexposure
- Smart Motion Detection to Reduce False Alarms
- Smart VCA (Intrusion Detection, Loitering Detection, Line Crossing Detection)
- Trend Micro IoT Security
- Built-in PIR Sensor for Human Detection



Technical Specifications

System Information

Model	FD9165-HT-A
CPU	Multimedia SoC (System-on-Chip)
Flash	256MB
RAM	1GB

Camera Features

Image Sensor	1/2" Progressive CMOS
Max. Resolution	1920x1080 (2MP)
Lens Type	Motorized, Vari-focal, Remote Focus
Focal Length	f = 4 ~ 9 mm (f = 2.8 ~ 11.4 mm, equivalent focal length @ 1/2.8")
Aperture	F1.3 ~ F2.2
Auto-iris	P-iris
Field of View	46° ~ 120° (Horizontal) 26° ~ 60° (Vertical) 53° ~ 152° (Diagonal)
Shutter Time	1/5 sec. to 1/32,000 sec.
WDR Technology	WDR Pro
Day/Night	Yes
Removable IR-cut Filter	Yes
IR Illuminators	Built-in IR illuminators, effective up to 50 meters with Smart IR II, IR LED*4
Minimum Illumination	0.015 Lux @ F1.3 (Color) <0.005 Lux @ F1.3 (B/W) 0 Lux with IR illumination on
Pan Range	350°
Tilt Range	60°
Rotation Range	±175°
Pan/Tilt/Zoom Functionalities	ePTZ: 48x digital zoom (4x on IE plug-in, 12x built-in)
On-board Storage	Slot type: MicroSD/SDHC/SDXC card slot Seamless Recording

Video

Video Compression	H.265, H.264, MJPEG
Maximum Frame Rate	60 fps @ 1920x1080
Maximum Streams	3 simultaneous streams
S/N Ratio	68 dB
Dynamic Range	120 dB
Video Streaming	Adjustable resolution, quality and constant bit rate control, Smart Stream III
Image Settings	Time stamp, text overlay, flip and mirror, configurable brightness, contrast, saturation, sharpness, white balance, exposure control, gain, backlight compensation, privacy masks, scheduled profile settings, HLC, defog, 3DNR, video rotation

Audio

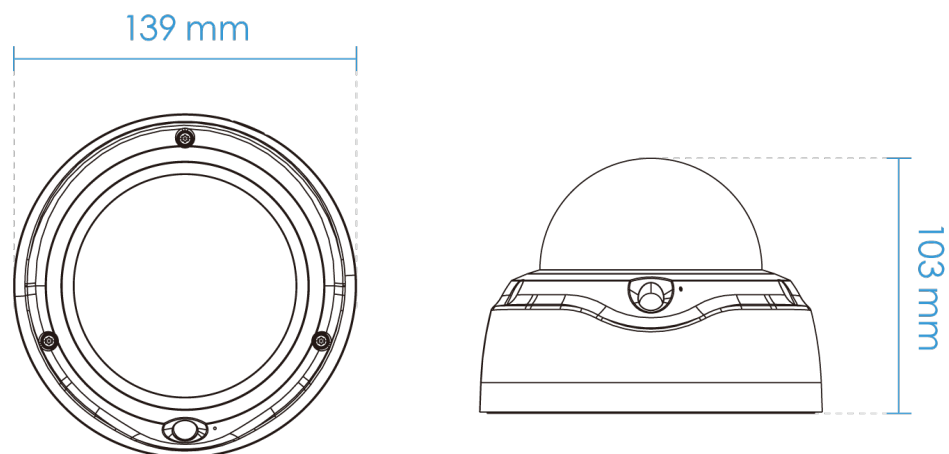
Audio Capability	Two-way Audio (full duplex)
Audio Compression	G.711, G.726
Audio Interface	Built-in microphone External microphone input External line output
Effective Range	5 meters

Network

Users	Live viewing for up to 10 clients
Protocols	802.1X, ARP, CIFS/SMB, CoS, DDNS, DHCP, DNS, FTP, HTTP, HTTPS, ICMP, IGMP, IPv4, IPv6, NTP, PPPoE, QoS, RTSP/RTP/RTCP, SMTP, SNMP, SSL, TCP/IP, TLS, UDP, UPnP

Interface	10 Base-T/100 Base-TX Ethernet (RJ-45) *It is highly recommended to use standard CAT5e & CAT6 cables which are compliant with the 3P/ETL standard.
ONVIF	Supported, specification available at www.onvif.org
Solution Integration	
Smart Motion Detection	Five-window video motion detection, people detection, time filter
Smart VCA	Intrusion detection, loitering detection, line crossing detection, unattended object detection, missing object detection, face detection *Please access http://license.vivotek.com/ to get the free trial license.
VADP Package	Deep Learning VCA (Smart Motion Detection, Smart VCA), Stratocast, Trend Micro IoT Security
Alarm and Event	
Alarm Triggers	Motion detection, digital input, manual trigger, periodical trigger, system boot, recording notification, camera tampering detection, audio detection, PIR detection, SD card life expectancy, shock detection, cybersecurity events (brute force attack event, cyberattack event, quarantine event)
Alarm Events	Event notification via audio clip, digital output, email, HTTP, FTP, NAS server, SD card File upload via email, HTTP, FTP, NAS server, SD card
General	
Connectors	RJ-45 cable connector for 10/100Mbps Network/PoE connection Audio input Audio output AC 24V power input DC 12V power input Digital input *2 Digital output *2 TV out
LED Indicator	System power and status indicator
Power Input	AC 24V DC 12V IEEE 802.3af PoE Class 0 (Power Redundancy)
Power Consumption	PoE: Max. 11 W DC 12V: Max. 8 W AC 24V: Max. 9.5 W
Dimensions	Ø 139 x 103 mm
Weight	538 g
Safety Certifications	CE, LVD, FCC Class B, VCCI, C-Tick, UL, BIS
Operating Temperature	Starting Temperature: 0°C ~ 45°C (32°F ~ 113°F) Working Temperature (IR off): -10°C ~ 45°C (14°F ~ 113°F) Working Temperature (IR on): -10°C ~ 40°C (14°F ~ 104°F)
Humidity	90%
Warranty	36 Months
System Requirements	
Operating System	Microsoft Windows 8/7 Mac 10.12 (Chrome only)
Web Browser	Chrome 58.0 or above Internet Explorer 11
Other Players	VLC: 1.1.11 or above
Included Accessories	
Others	Quick installation guide, warranty card, alignment sticker, screw pack, conduit ring, desiccant bag, waterproof accessory bag

Dimensions



Compatible Accessories

Mounting Kits



AM-105
Recessed Kit

Mounting Kits



AM-21A
L-shape Bracket

Mounting Kits



AM-514
Adapting Plate

Mounting Kits



AM-527
Mounting Adapter