



■ **Features:**

- Universal AC input / Full range
- Protections: Short Circuit / Overload / Over voltage
- Cooling by free air convection
- Can be installed on DIN rail TS-35/7.5 or 15
- Built in DC OK active signal
- LED indicator for power on
- No load power consumption < 0.75W
- 100% full load burn-in test

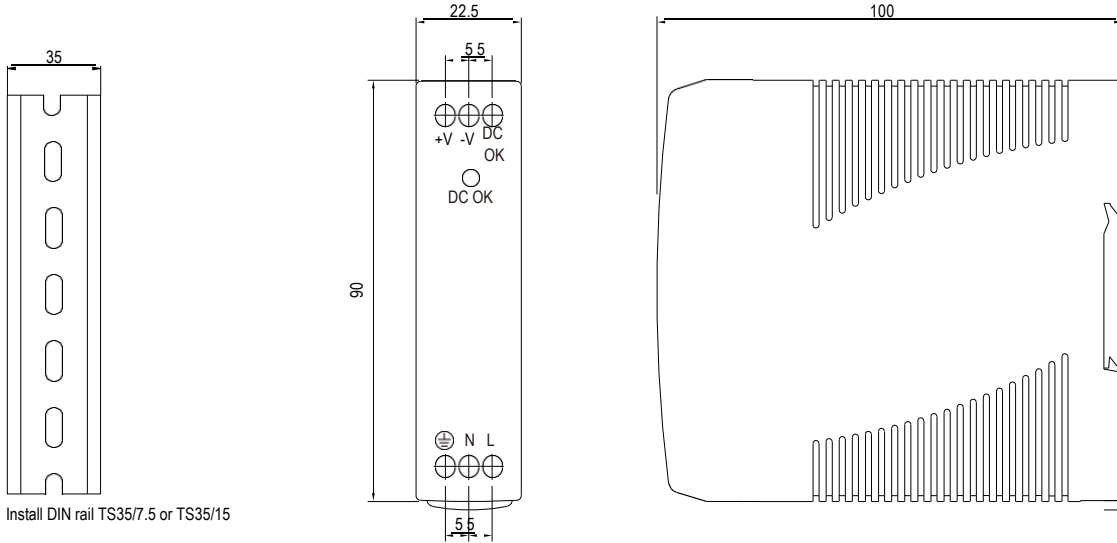
SPECIFICATION



MODEL		MDR-10-12
OUTPUT	DC VOLTAGE	12V
	RATED CURRENT	0.84A
	CURRENT RANGE	0 ~ 0.84A
	RATED POWER	10W
	RIPPLE & NOISE (max.) Note.2	120mVp-p
	VOLTAGE TOLERANCE Note.3	±3.0%
	LINE REGULATION	±1.0%
	LOAD REGULATION	±3.0%
	SETUP, RISE TIME Note.5	500ms, 30ms/230VAC 1000ms, 30ms/115VAC at full load
HOLD UP TIME (Typ.)	120ms/230VAC 25ms/115VAC at full load	
INPUT	VOLTAGE RANGE	85 ~ 264VAC 120 ~ 370VDC
	FREQUENCY RANGE	47 ~ 63Hz
	EFFICIENCY (Typ.)	81%
	AC CURRENT (Typ.)	0.33A/115VAC 0.21A/230VAC
	INRUSH CURRENT (Typ.)	COLD START 35A/115VAC 70A/230VAC
LEAKAGE CURRENT	<1mA / 240VAC	
PROTECTION	OVERLOAD	Above 105% rated output power Protection type : Hiccup mode, recovers automatically after fault condition is removed
	OVER VOLTAGE	13.8 ~ 16.2V Protection type : Shut down o/p voltage, re-power on to recover
FUNCTION	DC OK ACTIVE SIGNAL (max.)	9 ~ 13.5V / 40mA
ENVIRONMENT	WORKING TEMP.	-20 ~ +70°C (Refer to "Derating Curve")
	WORKING HUMIDITY	20 ~ 90% RH non-condensing
	STORAGE TEMP., HUMIDITY	-40 ~ +85°C, 10 ~ 95% RH
	TEMP. COEFFICIENT	±0.03%/°C (0 ~ 50°C)
	VIBRATION	Component: 10 ~ 500Hz, 2G 10min./1cycle, 60min. each along X, Y, Z axes; Mounting: Compliance to IEC60068-2-6
SAFETY & EMC (Note 4)	SAFETY STANDARDS	UL508, TUV EN60950-1 approved
	WITHSTAND VOLTAGE	I/P-O/P:3KVAC I/P-FG:2KVAC O/P-FG:0.5KVAC
	ISOLATION RESISTANCE	I/P-O/P, I/P-FG, O/P-FG:100M Ohms / 500VDC / 25°C / 70% RH
	EMC EMISSION	Compliance to EN55011, EN55022 (CISPR22), EN61204-3 Class B, EN61000-3-2,-3
	EMC IMMUNITY	Compliance to EN61000-4-2, 3, 4, 5, 6, 8, 11, EN55024, EN61000-6-1, EN61204-3, light industry level, criteria A
OTHERS	MTBF	584K hrs min. MIL-HDBK-217F (25°C)
	DIMENSION	22.5*90*100mm (W*H*D)
	PACKING	0.17Kg; 72pcs/13.2Kg/0.91CUFT
NOTE	<p>1. All parameters NOT Specially mentioned are measured at 230VAC input, rated load and 25 °C of ambient temperature.</p> <p>2. Ripple & noise are measured at 20MHz of bandwidth by using a 12" twisted pair-wire terminated with a 0.1uf & 47uf parallel capacitor</p> <p>3. Tolerance: includes set up tolerance, line regulation and load regulation.</p> <p>4. The power supply is considered a component which will be installed into a final equipment. The final equipment must be re-confirmed that it still meets EMC directives. For guidance on how to perform these EMC tests, please refer to "EMI" testing of component power supplies."</p> <p>5. Length of set up time is measured at cold first start. Turning ON/OFF power supply may lead to increase to the set up time.</p>	

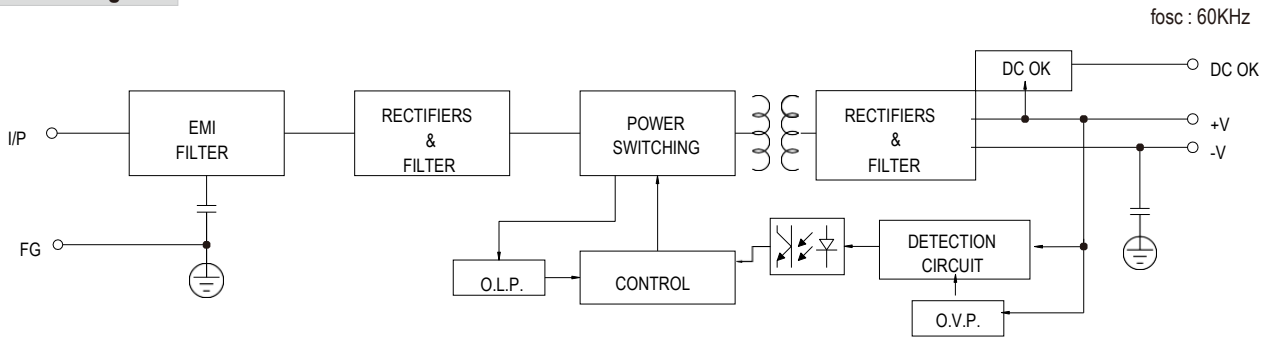
Mechanical Specification

Case No. 956 Unit:mm



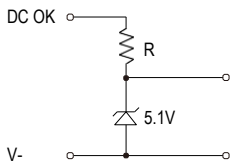
Install DIN rail TS35/7.5 or TS35/15

Block Diagram



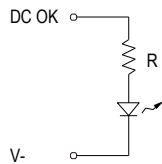
Application of DC OK Active Signal

(a) 5V signal



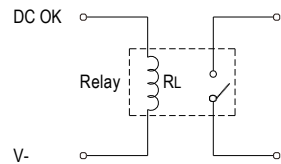
Model	R
5V	$\geq 200 \Omega$
12V	$\geq 1.5K \Omega$
15V	$\geq 2K \Omega$
24V	$\geq 3.9K \Omega$

(b) LED



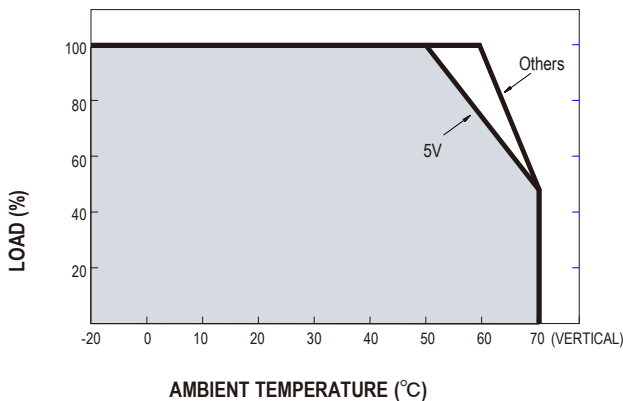
Model	R
5V	$\geq 1K \Omega$
12V	$\geq 2.4K \Omega$
15V	$\geq 3K \Omega$
24V	$\geq 4.7K \Omega$

(c) Relay



Model	RL
5V	$\geq 120 \Omega$
12V	$\geq 700 \Omega$
15V	$\geq 700 \Omega$
24V	$\geq 1.2K \Omega$

Derating Curve



Output Derating VS Input Voltage

