

*"Best solution for parking areas and parks"*

# DIMA II



**GRAH**<sup>®</sup>  
LED LIGHTING

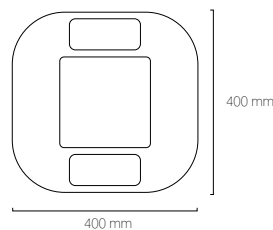
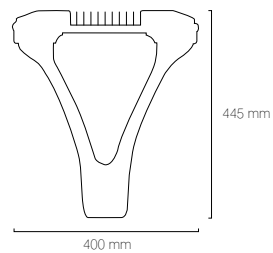
STREET

## DIMA II



## TECHNICAL SPECIFICATIONS

Supply voltage range:	220 - 240 V, 50/60 Hz
Surge protection:	10 kV
Consumption:	26 W / 55 W
Power Factor:	> 0,9
Temperature range:	-30 °C / +45 °C
Working temperature at Ta25:	+55 °C
Light guiding system:	PMMA lenses
Optics:	Symmetric
Power reduction:	50% step DIM or DALI
Light source:	High power LED
Colour temperature:	4000 K (3000 K on request)
Colour Rendering Index:	CRI > 70
LED Lifetime:	Up to 50.000 hours, L70 @ Ta = 25 °C
System efficacy:	Up to 116 lm/W
Luminous flux:	From 3.000 lm up to 5.800 lm
Appliance class:	I (Class II on request)
Housing material:	Aluminium die casting
Cover material:	Tempered glass
Housing colour:	Grey Anthracite fine texture
Ingress protection class:	IP66
Impact resistance:	IK08 (IK10 on request)
Mounting:	Top pole mounting with Ø60 mm
Suggested mounting height:	2,5 - 5 m
Dimension (L x W x H):	400 x 400 x 445 mm
Net weight:	6 kg



RoHSII



IP66

IK08  
(IK10)50%  
DIM

DALI



# FEATURES

DIMA II for efficient outdoor illumination with IP66, IK8 and luminous flux from 3.000 to 5800 lm

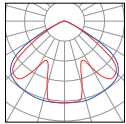
Perfect solution for:

- parking areas
- green areas
- modern city centers
- architectural lighting purposes

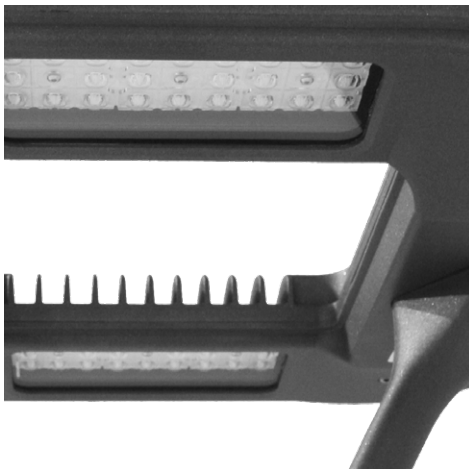
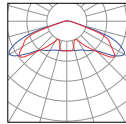
## 2 light distributions

New optics systems for 2 different applications. DIMA II comes with 10 kV surge protection against internal components damage. With the latest LED chip, efficacy is increased up to 116 lm/W.

CY 130°



VSM 150°



## Easy top pole mounting with ø60 mm

Mounting already integrated in luminaire housing for simplified install.



# COMMERCIAL SPECIFICATIONS

ID: 1 4 9 1 - 0 0 3 0 - 1 4 2 4 - 6 4 5 1 - 0 0 0 0

Code	Name	Code	Regulation	Code	Lum. flux [lm]	Power [W]	Code	App. class	Code	Optics	Code	Colour Temp. [K]	Code	Custom options
1491	DIMA II	0	ON/OFF	030	3000	26	1	SCI	42	130°	3	3000*	0029	Programmable setup functions
		2	50% step DIM	046	4600	40	2	SCII	43	150°	4	4000		
		3	DALI	058	5800	55								

\*Luminous flux for 3000 K may vary, please contact our Sales department for detailed information.



GRAH LIGHTING d.o.o.  
Zadružna ulica 6,  
SI-2310 Slovenska Bistrica,  
Slovenia, EU

+386 82 801 424  
[info@grahlighting.com](mailto:info@grahlighting.com)  
[www.grahlighting.com](http://www.grahlighting.com)