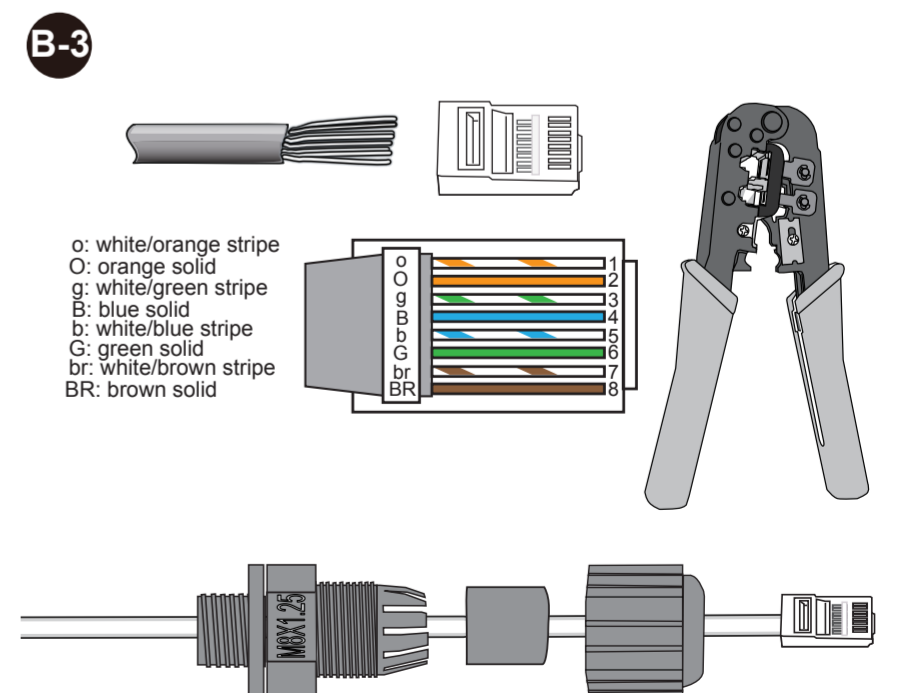
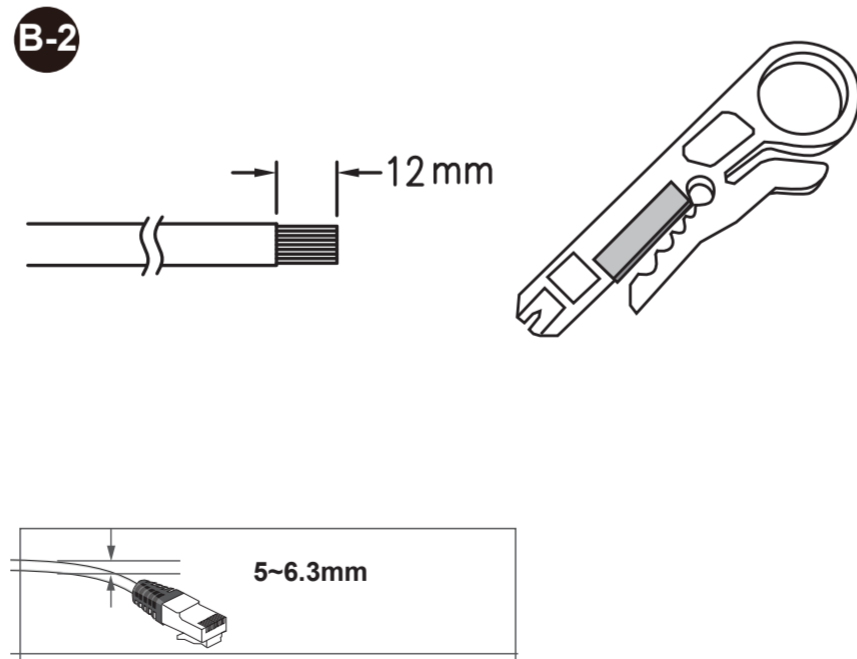
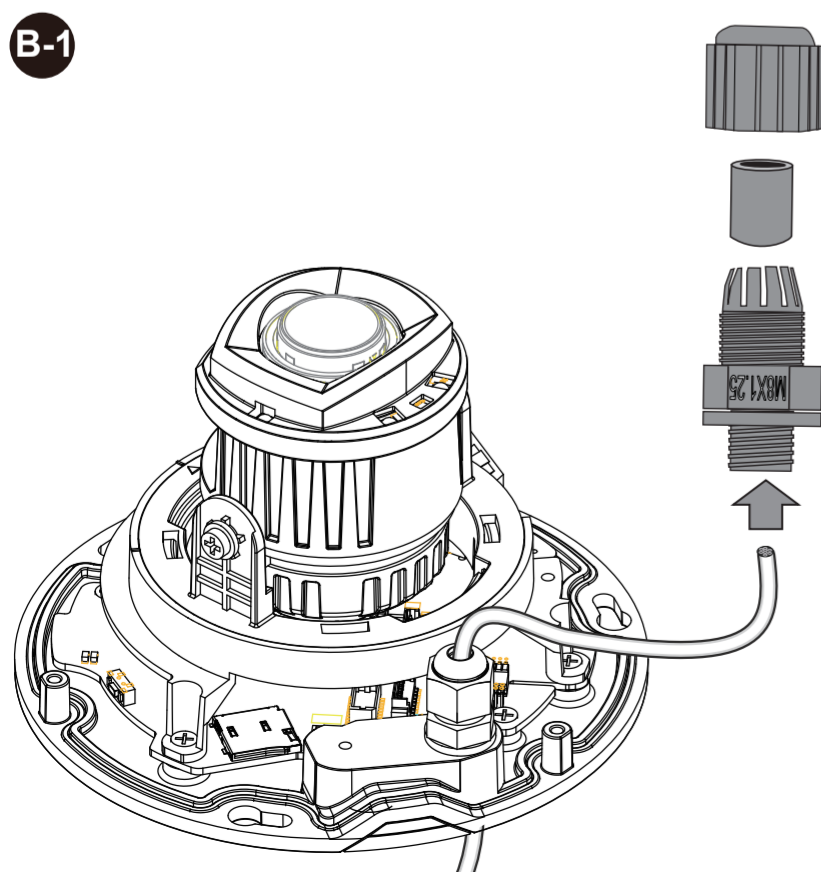
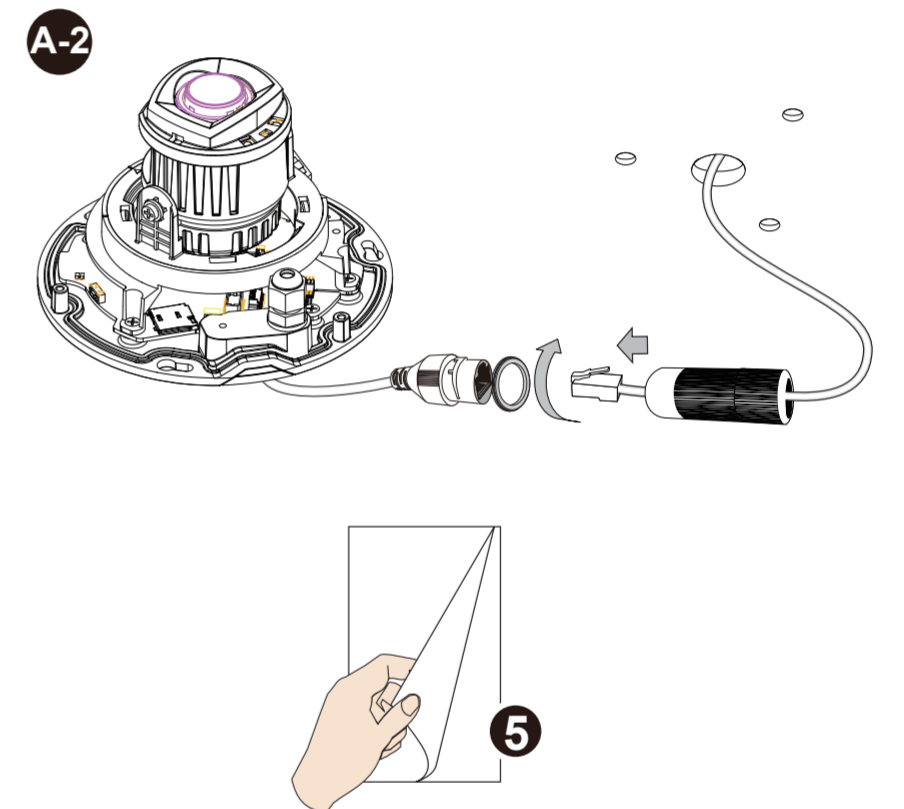
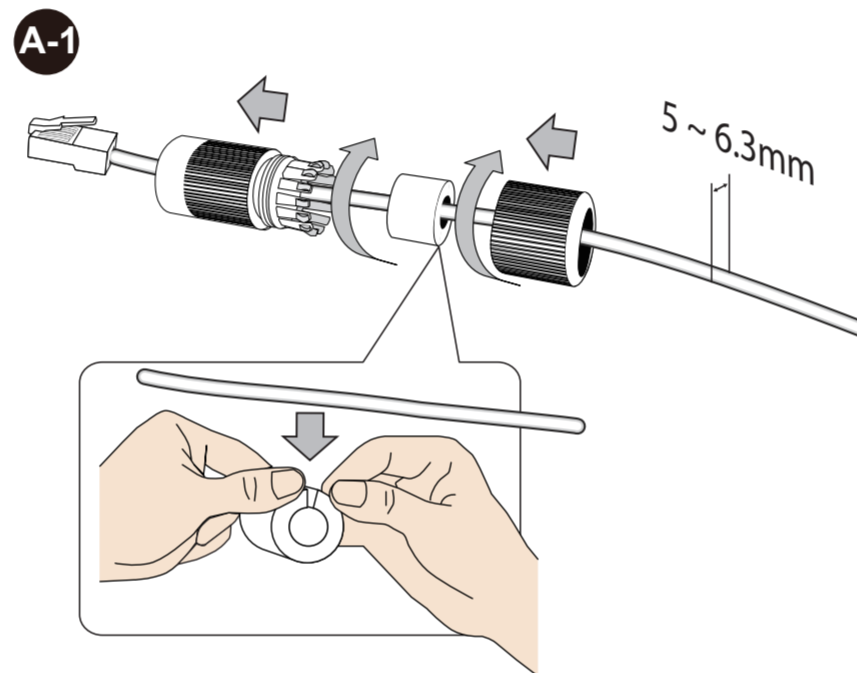
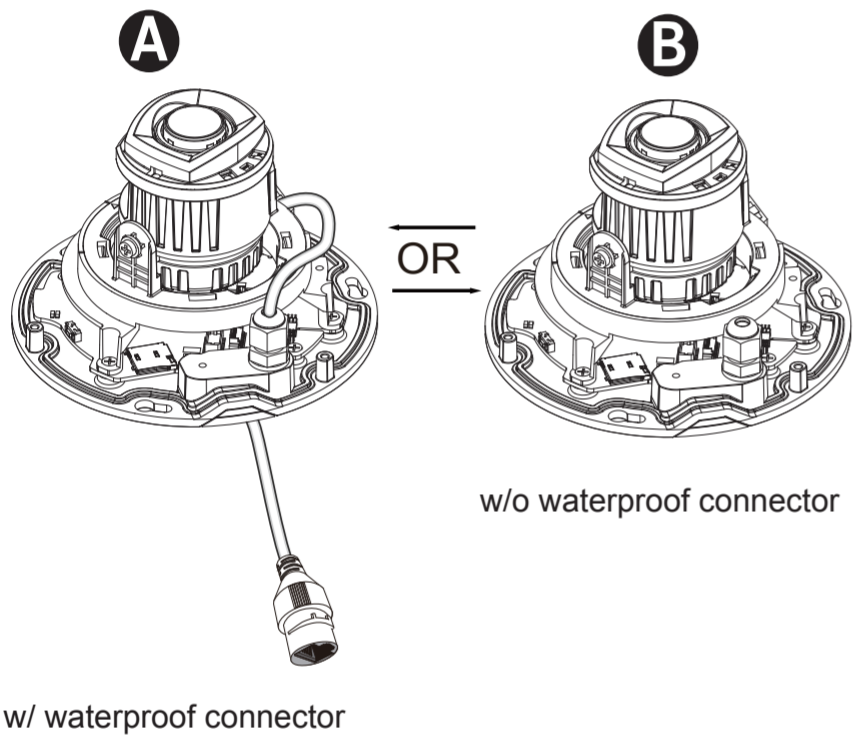
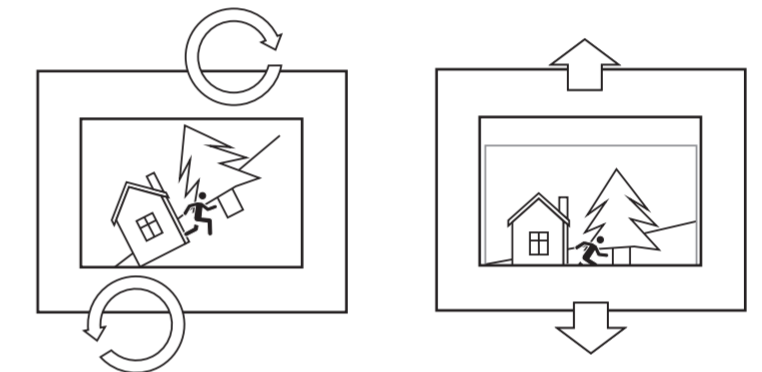
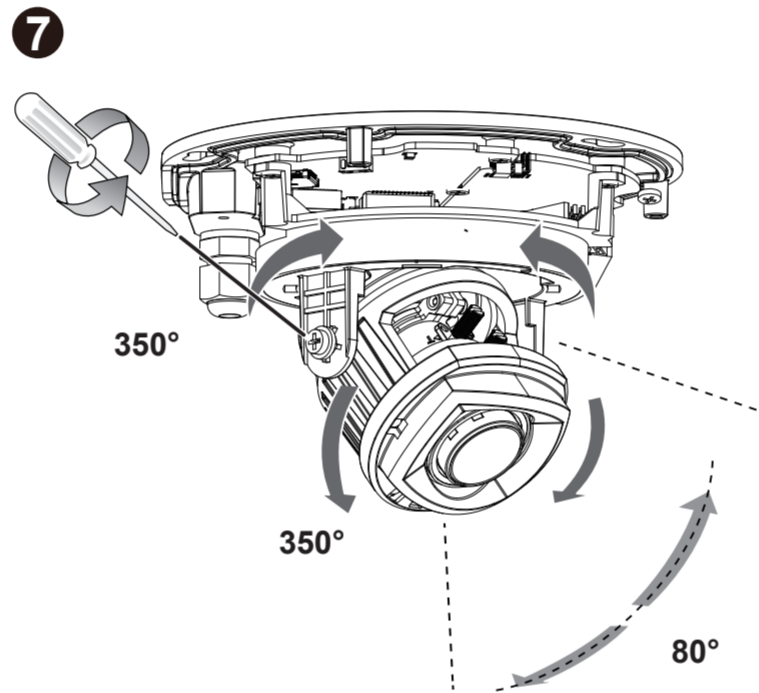
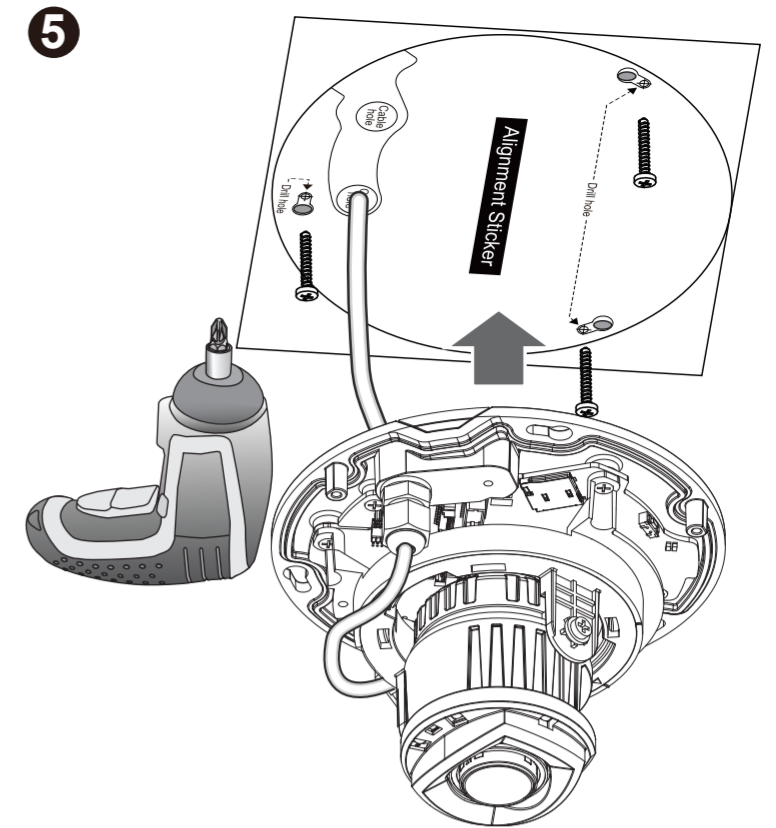
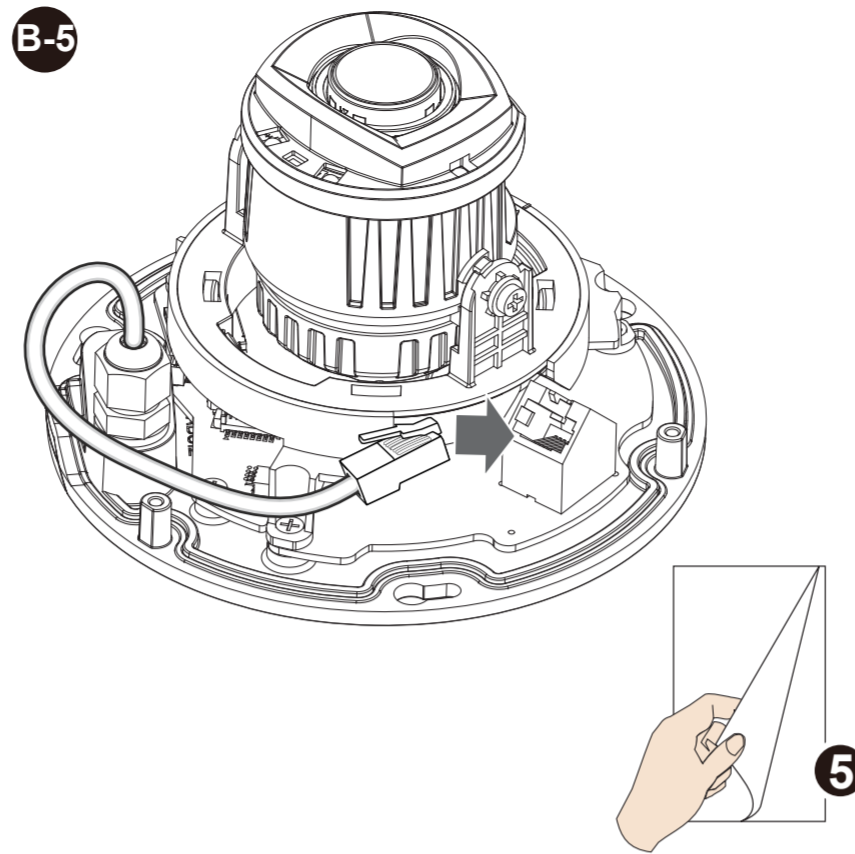
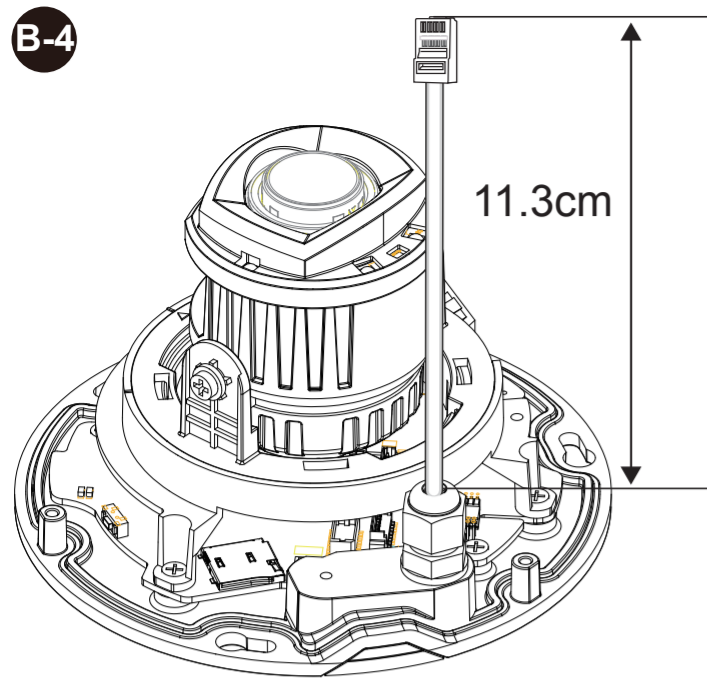


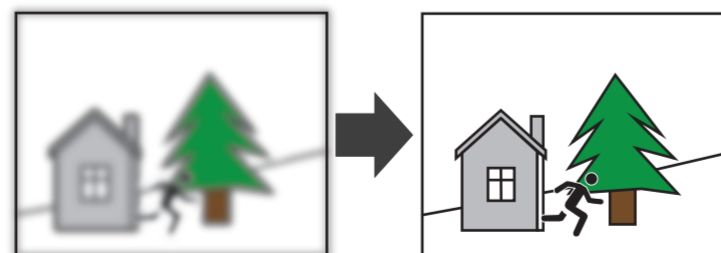
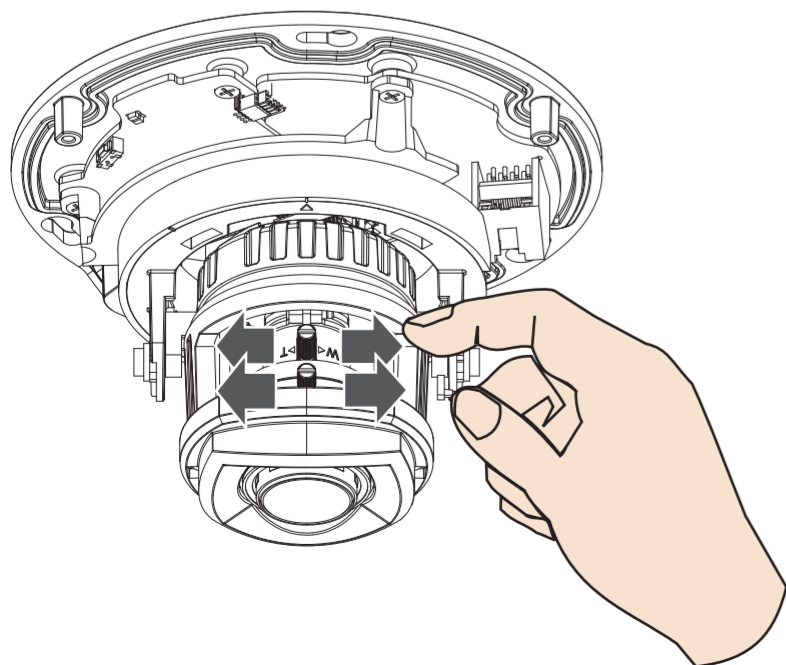
Max. Power Consumption (via PoE)

Model	Watts	Voltage	Amp
FD9389-EHTV	23.55	42.5 ~ 57	0.55 ~ 0.41
FD9389-EHMV	21.4	42.5 ~ 57	0.50 ~ 0.38
FD9389-EHV	21.8	42.5 ~ 57	0.51 ~ 0.38
FD9389-HTV	10.45	37 ~ 57	0.28 ~ 0.18
FD9389-HTV (w/o cable)			
FD9389-HMV	8.3	37 ~ 57	0.22 ~ 0.15
FD9389-HMV (w/o cable)			
FD9389-HV	8.7	37 ~ 57	0.24 ~ 0.15
FD9389-HV(w/o cable)			

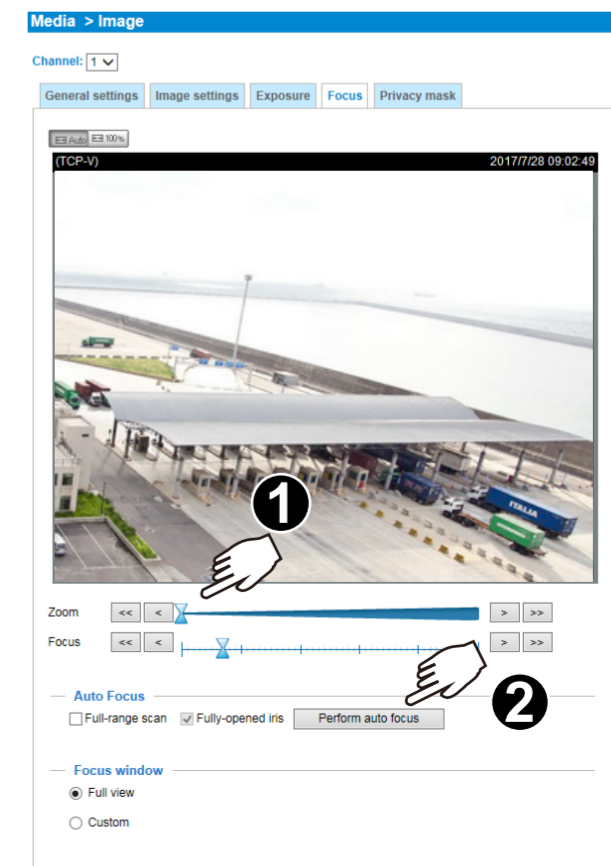


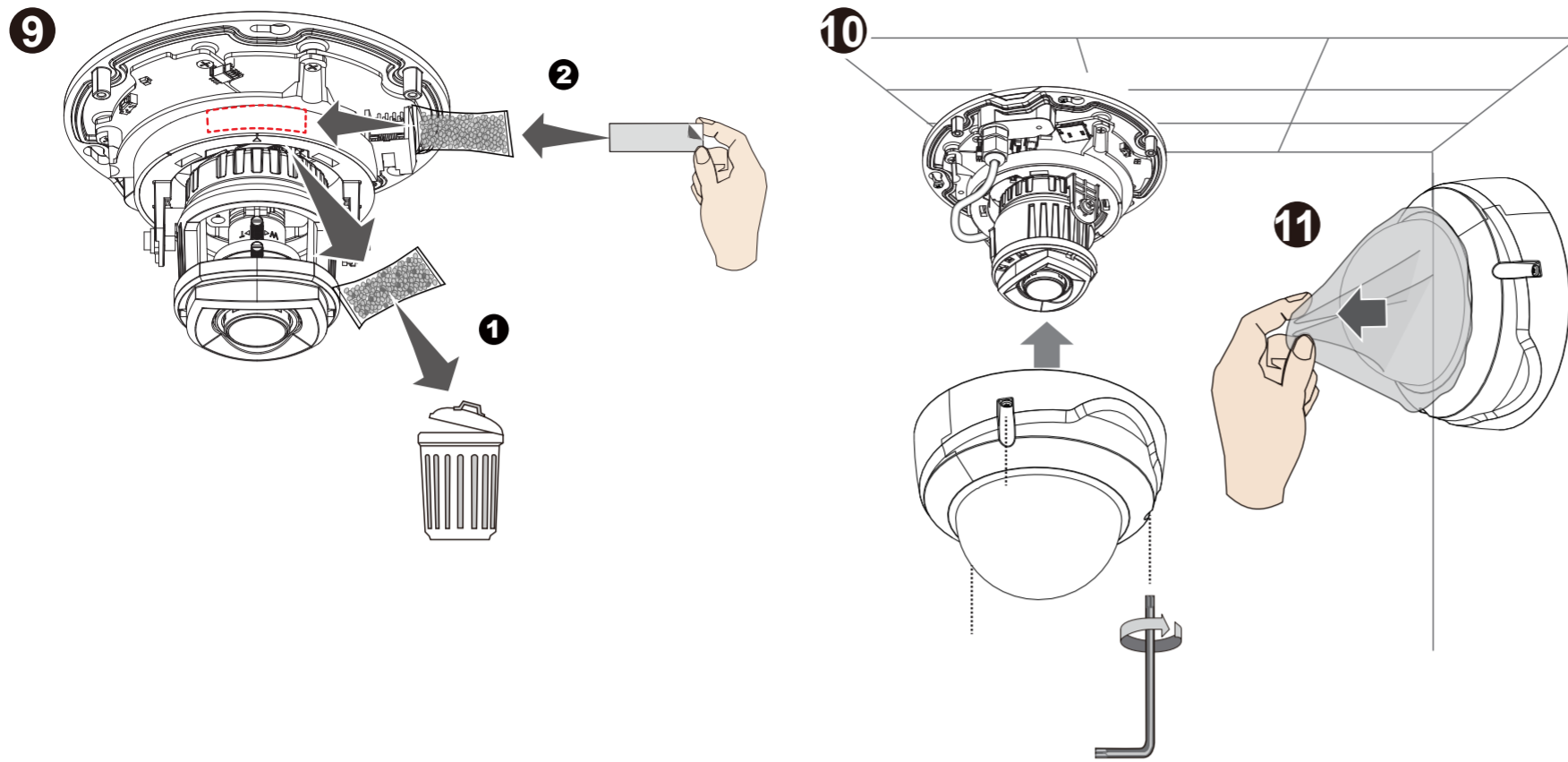



8  **FD9389-HMV, -EHMV**

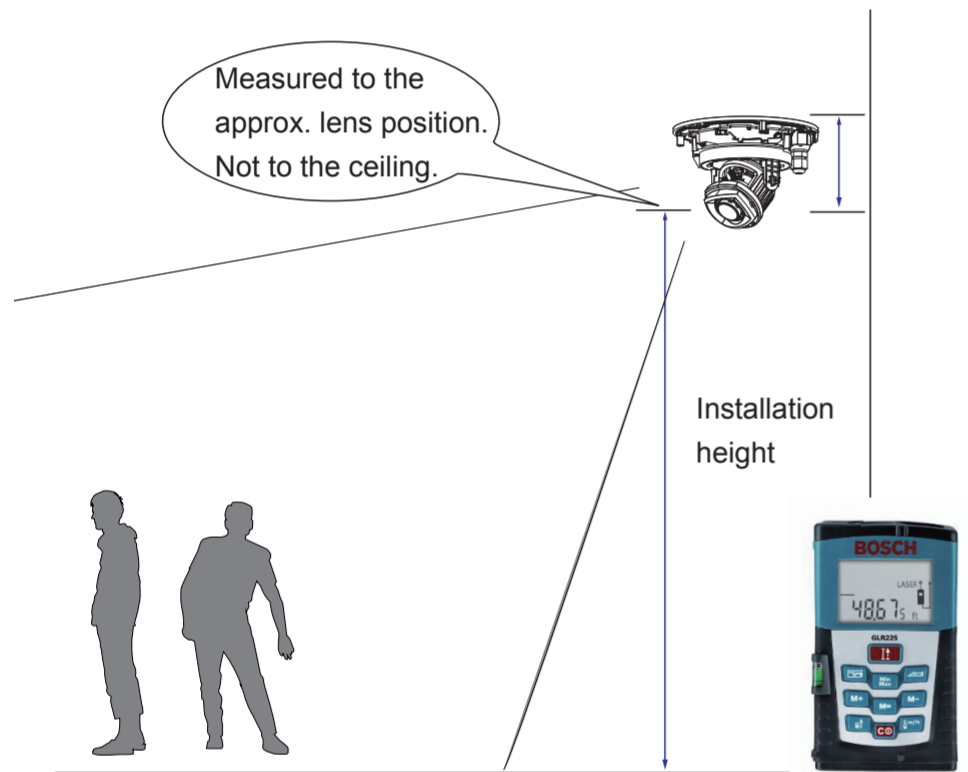


 **FD9389-HTV, -EHTV**
Configuration > Media > Image > Focus





 If Using Smart Motion detection



FD9389-HV, -EHV

HARDWARE LIMITED WARRANTY

What Is Covered: This warranty covers any hardware defects in materials or workmanship, with the exceptions stated below.

How Long Coverage Lasts: This warranty lasts for TWENTY-FOUR MONTHS from the date of purchase by the original end-user customer.

What Is Not Covered: This warranty does not cover cosmetic damage or any other damage or defect caused by abuse, misuse, neglect, use in violation of instructions, repair by an unauthorized third party, or an act of God. Also, if serial numbers have been altered, defaced, or removed. Further, consequential and incidental damages are not recoverable under this warranty.

What VIVOTEK Will Do: VIVOTEK will, in our sole discretion, repair or replace any product that proves to be defective in material or workmanship. Any repair or replaced part of the product will receive a THREE-MONTH warranty extension.

How To Get Service: Contact our authorized distributors in your region. Please check our website (www.vivotek.com) for the information of an authorized distributor near you.

Your Rights: SOME STATES DO NOT ALLOW EXCLUSION OR LIMITATION OF CONSEQUENTIAL OR INCIDENTAL DAMAGES, SO THE ABOVE EXCLUSION OR LIMITATION MAY NOT APPLY TO YOU. THIS WARRANTY GIVES YOU SPECIFIC LEGAL RIGHTS, AND YOU MAY ALSO HAVE OTHER RIGHTS WHICH VARY FROM STATE TO STATE.

VIVOTEK INC.
6F, No. 192, Lien-Cheng Rd., Chung-Ho,
Taipei County, Taiwan.
www.vivotek.com

1. Proof of the date of purchase is required. In the event you can not render such document, warranty will commence from the date of manufacture.
2. Cosmetic damage will only be covered by this warranty if such damage has been existed at the time of purchase.

FD9389-HMV, -EHMV, -HTV, -EHTV

HARDWARE LIMITED WARRANTY

What Is Covered: This warranty covers any hardware defects in materials or workmanship, with the exceptions stated below.

How Long Coverage Lasts: This warranty lasts for THIRTY-SIX MONTHS from the date of purchase by the original end-user customer.

What Is Not Covered: This warranty does not cover cosmetic damage or any other damage or defect caused by abuse, misuse, neglect, use in violation of instructions, repair by an unauthorized third party, or an act of God. Also, if serial numbers have been altered, defaced, or removed. Further, consequential and incidental damages are not recoverable under this warranty.

What VIVOTEK Will Do: VIVOTEK will, in our sole discretion, repair or replace any product that proves to be defective in material or workmanship. Any repair or replaced part of the product will receive a THREE-MONTH warranty extension.

How To Get Service: Contact our authorized distributors in your region. Please check our website (www.vivotek.com) for the information of an authorized distributor near you.

Your Rights: SOME STATES DO NOT ALLOW EXCLUSION OR LIMITATION OF CONSEQUENTIAL OR INCIDENTAL DAMAGES, SO THE ABOVE EXCLUSION OR LIMITATION MAY NOT APPLY TO YOU. THIS WARRANTY GIVES YOU SPECIFIC LEGAL RIGHTS, AND YOU MAY ALSO HAVE OTHER RIGHTS WHICH VARY FROM STATE TO STATE.

VIVOTEK INC.
6F, No. 192, Lien-Cheng Rd., Chung-Ho,
Taipei County, Taiwan.
www.vivotek.com

1. Proof of the date of purchase is required. In the event you can not render such document, warranty will commence from the date of manufacture.
2. Cosmetic damage will only be covered by this warranty if such damage has been existed at the time of purchase.

All specifications are subject to change without notice.
Copyright © 2019 VIVOTEK INC. All rights reserved.

VIVOTEK INC.
6F, No. 192, Lien-Cheng Rd., Chung-Ho, New Taipei City, 235, Taiwan, R.O.C.
| T: +886-2-82455282 | F: +886-2-82455532 | E: sales@vivotek.com

VIVOTEK USA, INC.
2050 Ringwood Avenue, San Jose, CA 95131
| T: +08-773-8686 | F: +08-773-8288 | E: salesusa@vivotek.com

VIVOTEK Europe
Randstad 22-133, 1316BW Almere, The Netherlands
T: +31(0)36-5298-434 E: sales@vivotek.com