



Datenblatt - Fiche technique - Data sheet

19.06.1007



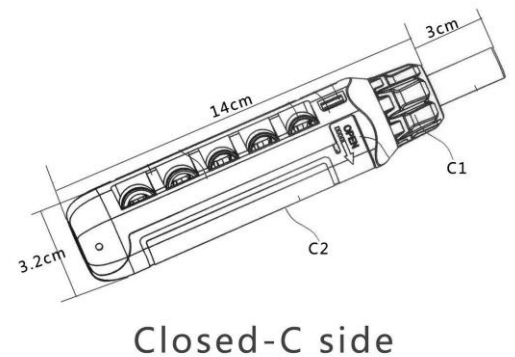
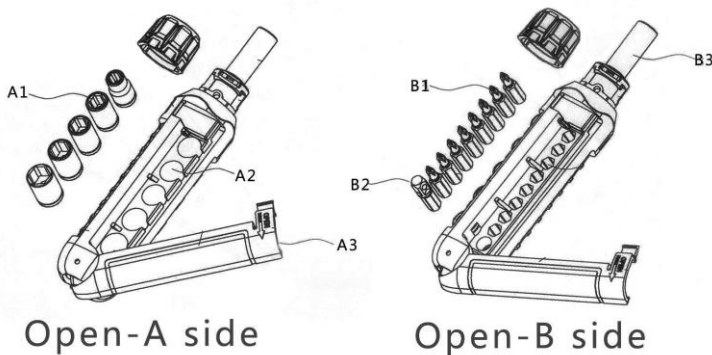
VALUE Ratschenschraubendreher 15-in-1

Tournevis à cliquet 15 en 1

Screwdriver 15-in-1 Ratchet

Item no.: 19.06.1007

Hand Screwdriver Set, 15 pcs, green/black color



Features:

- ✓ Multi-functional 15-pc screwdriver set
- ✓ 1 pc Ratchet (C1) can be used to both direction
- ✓ 5 pcs Sockets (6,7,8,10mm) (A1), carbon steel with heat treated
- ✓ 8 pcs Bits(6.35 x 25mm) CR-V6150
- ✓ Slotted: 3mm, 5mm, 6mm
- ✓ Phillips: PH0, PH1, PH2
- ✓ Torx: T10, T15
- ✓ 1 pc ADP 25mm (B2) is used to connect socket and handle tube(B3)
- ✓ CR-V steel
- ✓ Colour: green/black