

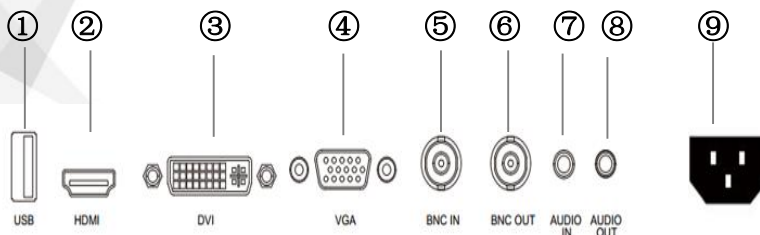
DS-D5032FC-A 31.5" Monitor



Key Features

- Adopt 3-D digital comb filter
- True color OSD and user-friendly operation menu
- 1 channel HDMI 1.4 input interface, support HDCP
- Adopt 3D noise reduction technology
- Programmable 12-bit RGB gamma correction technology
- Support software spread-spectrum technology to reduce EMI radiation
- Adopt Mstar ACE-5 auto color and image enhancement engine, improve image contrast, detail and edge
- High reliability and stability, 24/7 operation
- Green energy: Supporting set standby mode while no signal input, set the sleep time

Interfaces



| NO. | Description |
|-----|------------------------------|
| 1 | USB |
| 2 | HDMI: HDMI signal input |
| 3 | DVI: DVI signal input |
| 4 | VGA: VGA Analog Signal Input |
| 5 | BNC IN: BNC signal input |
| 6 | BNC OUT: BNC signal output |
| 7 | AUDIO IN |
| 8 | AUDIO OUT |
| 9 | AC power input |

Model

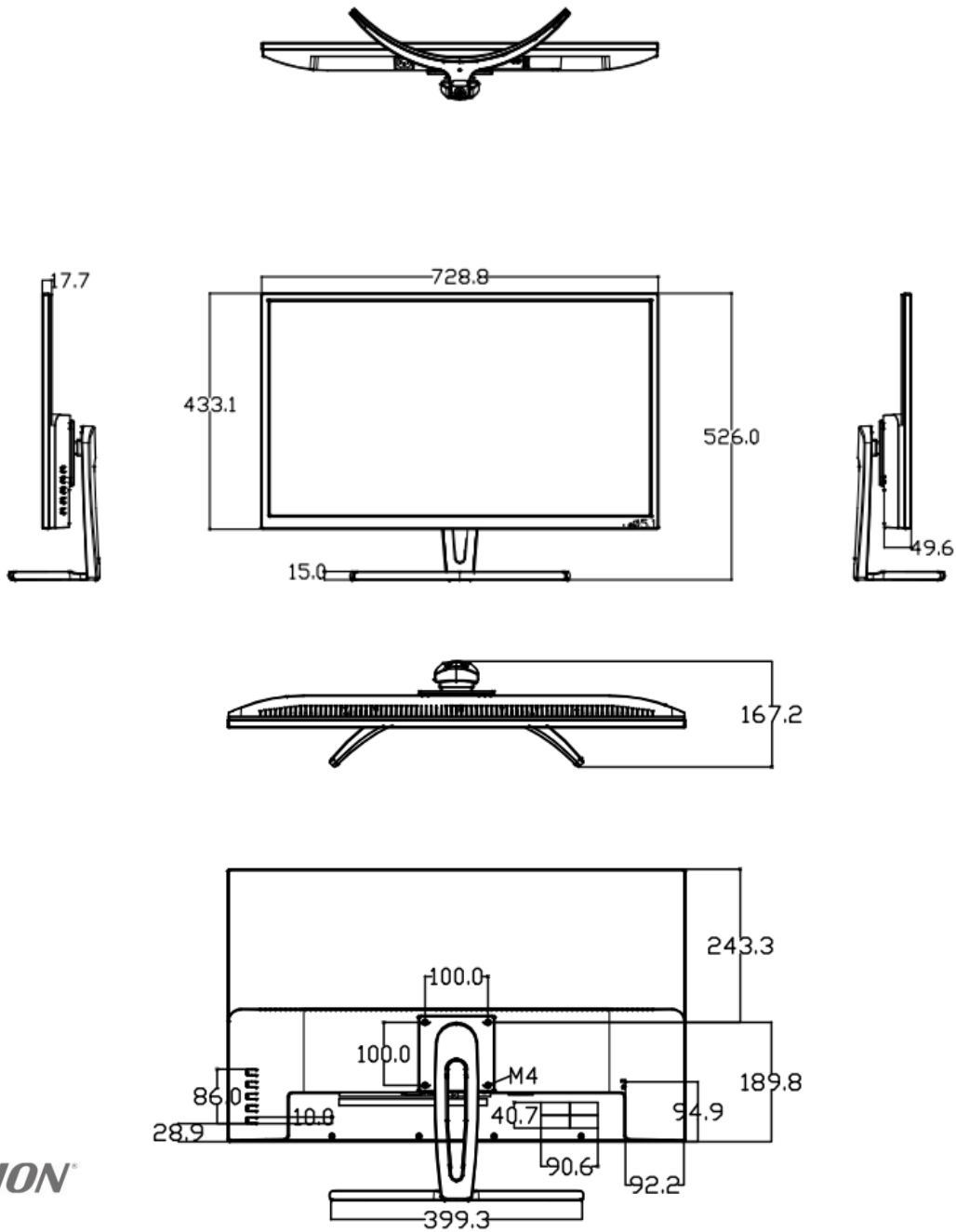
DS-D5032FC-A



Specifications

| | | |
|----------------------------------|--|-------------------------------|
| Model | DS-D5032FC-A | |
| Backlight | LED Backlight | |
| Screen Size | 31.5 inch | |
| Pixel Pitch | 0.12125 mm (H) × 0.36375 mm (V) | |
| Max Resolution | 1920×1080@60Hz | |
| Brightness | 300 cd/m ² | |
| Contrast | 1000: 1 | |
| Response Time | 8 ms | |
| Color | 16.7M | |
| Active Area (H×V) | 698.40 mm x 392.85 mm | |
| Viewing Angle | Horizontal 178°, vertical 178° | |
| Interfaces | DVI input | 1 |
| | HDMI input | 1 |
| | VGA input | 1 |
| | BNC(in/out) | In×1, Out×1 |
| | PC Audio(in/out) | In×1, Out×1, 3.5 mm mini-jack |
| | USB | 1 |
| Loudspeaker | 2 W x 2, 6Ω | |
| Power Supply | AC 100 ~ 240 V , 50/60 Hz | |
| Power Consumption | ≤45W | |
| Standby Power Consumption | ≤ 0.5 W | |
| Working Temperature | 0 to 40 ° C (32 to 104 ° F) | |
| Working Humidity | 10 to 85 % | |
| Storage Temperature | -10 to 55 ° C (-4 to 131 ° F) | |
| Storage Humidity | 5 to 95% | |
| Color of Casing | Black | |
| VESA | M4, 100 mm × 100 mm | |
| Dimensions(W*H*D) | 729mm x 433mm x 50mm / 728.8mm x 526mm x 167.2mm(with base) | |
| Package Dimension (W×H×D) | 803mm x 513mm x 197mm | |
| Gross Weight | 9.25Kg | |
| Net Weight | 5.75kg | |
| Accessories | VGA cable | 1 |
| | HDMI cable | 1 |
| | Power cord | 1 |
| | Remote control | 1 |
| | Battery | 2 |
| | User manual | 1 |
| | Base bracket | 1 |
| | Warranty card | 1 |
| Bracket | Base bracket | Contain 1 |
| | Wall mounted | Optional DS-DM1940W |
| *Note | All specifications mentioned above are subject to the actual product | |

Dimensions (unit: mm)



Distributed by

**HIKVISION®****Headquarters**

No.555 Qianmo Road, Binjiang District,
Hangzhou 310051, China
T +86-571-8807-5998
overseasbusiness@hikvision.com

Hikvision USA
T +1-909-895-0400
sales.usa@hikvision.com

Hikvision Italy
T +39-0438-6902
info.it@hikvision.com

Hikvision Singapore
T +65-6684-4718
sg@hikvision.com

Hikvision Africa
T +27 (10) 0351172
sale.africa@hikvision.com

Hikvision Europe
T +31-23-55-42-770
info.eu@hikvision.com

Hikvision France
T +33(0)1-85-330-450
info.fr@hikvision.com

Hikvision Oceania
T +61-2-8599-4233
salesau@hikvision.com

Hikvision Hong Kong
T +852-2151-1761

Hikvision Middle East
T +971-4-8816086
salesme@hikvision.com

Hikvision Spain
T +34-91-737-16-55
info.es@hikvision.com

Hikvision Canada
T +1-909-895-0400
sales.usa@hikvision.com

Hikvision Russia
T +7-495-669-67-99
saleru@hikvision.com

Hikvision Poland
T +48-22-460-01-50
poland@hikvision.com

Hikvision Korea
T +82-31-731-8841
sales.korea@hikvision.com

Hikvision India
T +91-22-28469900
sales@pramahikvision.com

Hikvision UK
T +01628-902140
support.uk@hikvision.com

Hikvision Brazil
T +55 11 3318-0050
Latam.support@hikvision.com