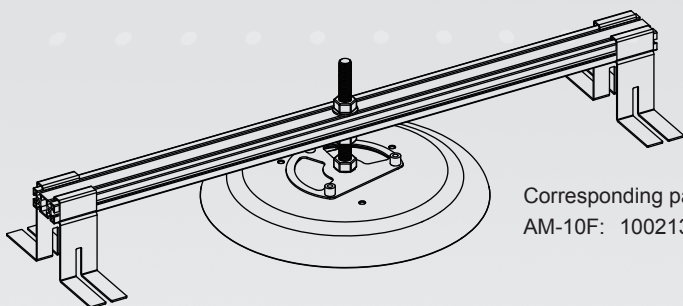


VIVOTEK Multi-lens Dome Series In-ceiling Mount

AM-10F Mounting Bracket

Installation Guide



Corresponding part number:
AM-10F: 100213100G

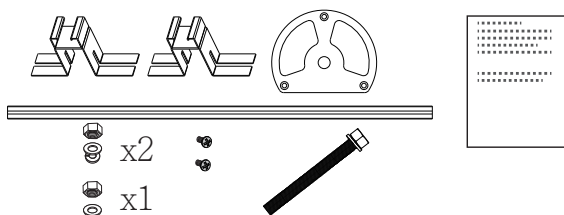
Document part no.: 625053200G

Rev. 1.0

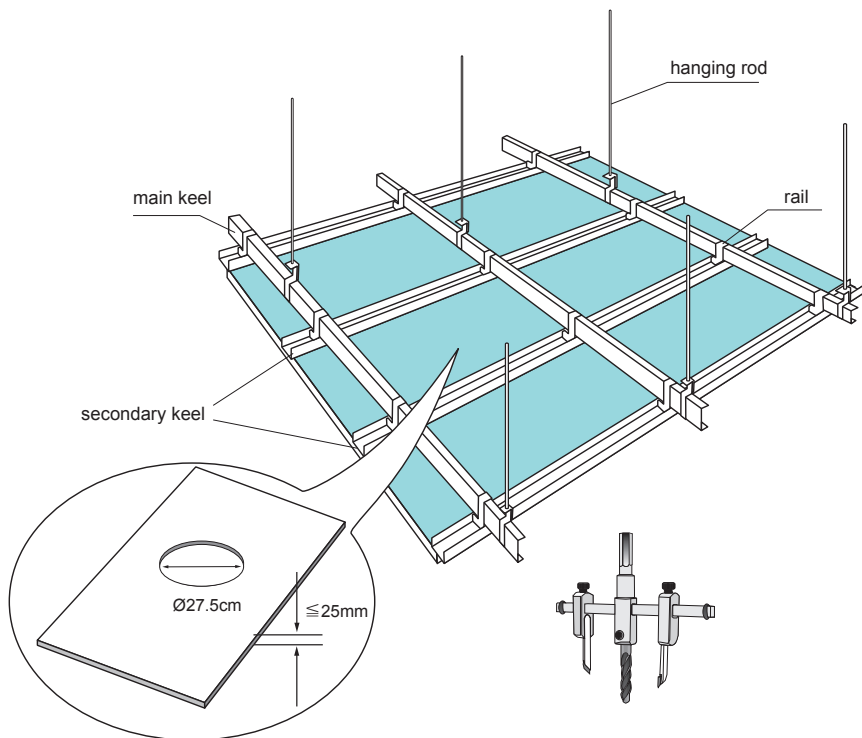
Revision History:

Rev. 1.0: Initial release.

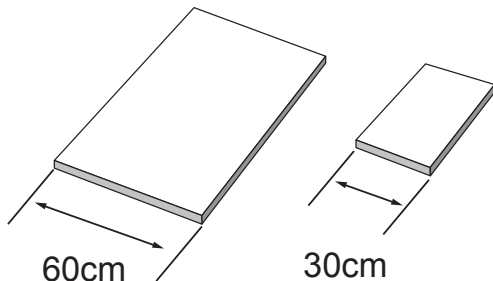
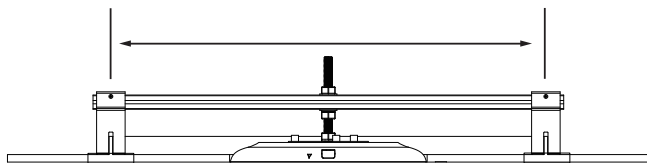
AM-10F Mounting Bracket Package Contents



Applications



Up to 60cm or 2 feet



1 Compatible VIVOTEK Cameras

Standard suspension ceiling tile installation:

MA9322-EHTV

Weight: main body: 2705g; bracket: 1084g

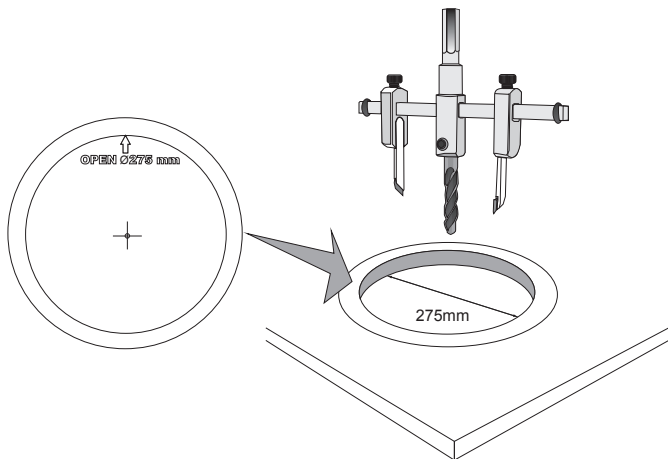


WARNING:

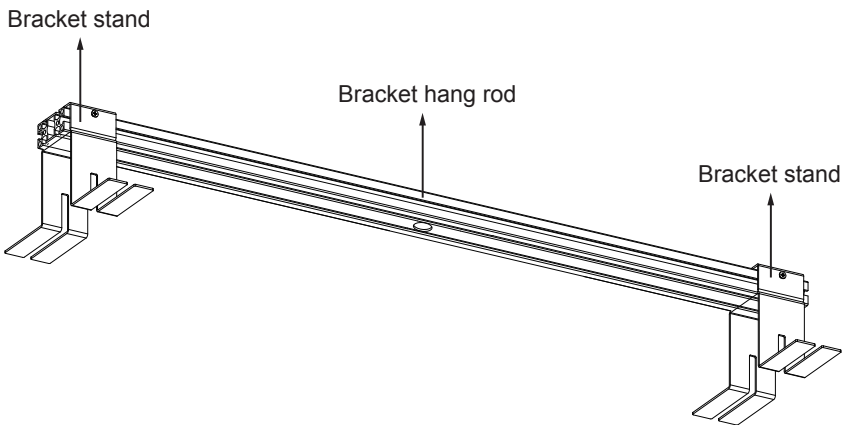
1. If the need should arise, add hanging rods to strengthen your suspended ceiling structure.
2. Select a suitable location where the camera is free from accidental damage, tampering, or harsh environmental conditions.
3. Locate a place for the installation where the camera can not be intentionally or unintentionally interfered.
4. Select a solid and flat mounting surface that can support the combined weight of the camera and associated hardware. Vibration and temperature range should also be taken into consideration.

2 Installation

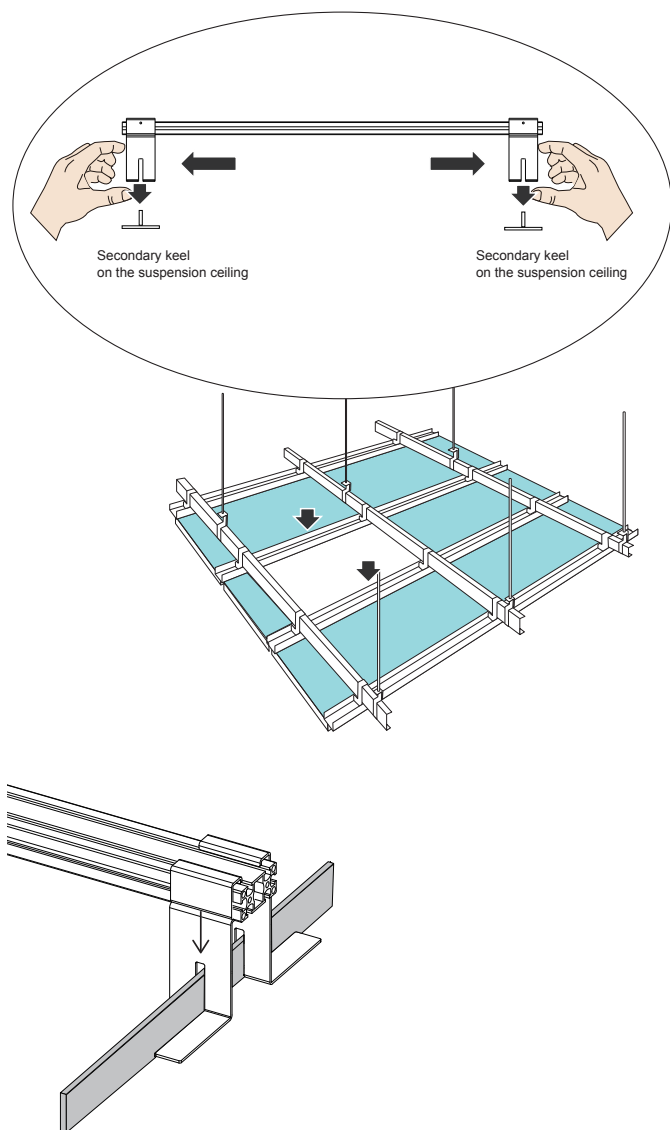
1. Remove a ceiling tile from your suspended ceiling. Drill a hole on the ceiling tile that is 275mm in diameter.



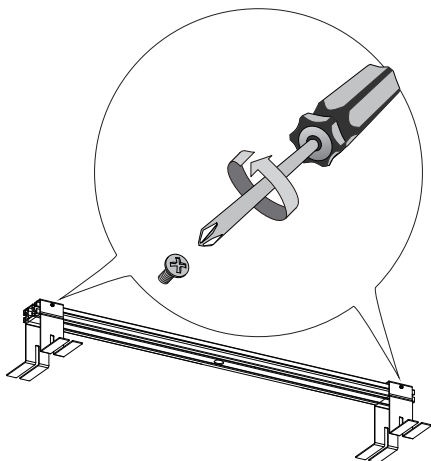
2. Assemble the bracket hang rod with the two bracket stands.



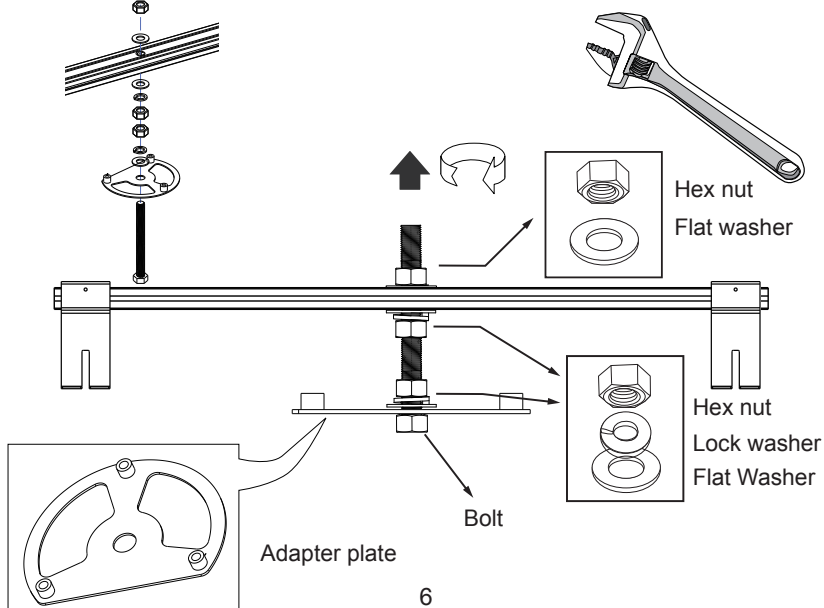
3. Place the bracket assembly at the desired location. Spread and place the bracket stands onto the secondary keels (or ceiling rails).



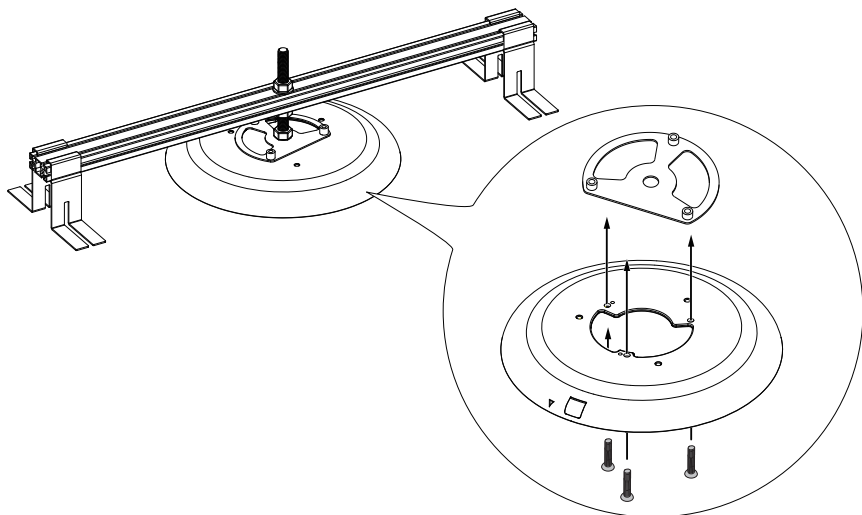
4. Fasten 2 included flathead screws to secure the positions of bracket stands on the hang rod. Once done, you can temporarily remove the assembly from the ceiling and proceed with the following steps.



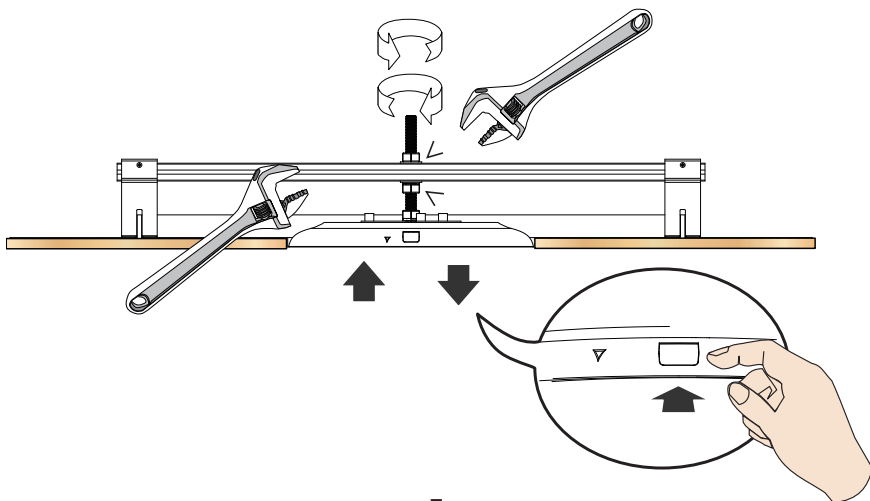
5. Insert the long threaded bolt through the adapter plate and the center hole on the hang rod. Use hex nuts, lock washers, and plain washers to secure the positions of these components. The combination details are shown below. Do not completely tighten the hex nuts yet.



6. Secure the MA9322's top mounting plate to the adapter plate using the included Phillips screws.



7. Loosen or tighten the hex nuts and lock washers on the top and bottom of the hang rod. Adjust the position of the whole configuration relative to the ceiling tile. The mounting plate should be a little bit higher than the lower edge of the ceiling tile. Make sure you can still press the release button on the mounting place from the top of the ceiling tile in case you need to un-install the camera.



8. Tighten the hex nuts on top and below the hang rod when the adjustment is done.
9. Install the ceiling tile.
10. Lift and install the whole configuration into place. To do so, you may need to open the adjacent ceiling tile on the suspension ceiling. Refer to the camera's QIG for the rest of the installation details.

