

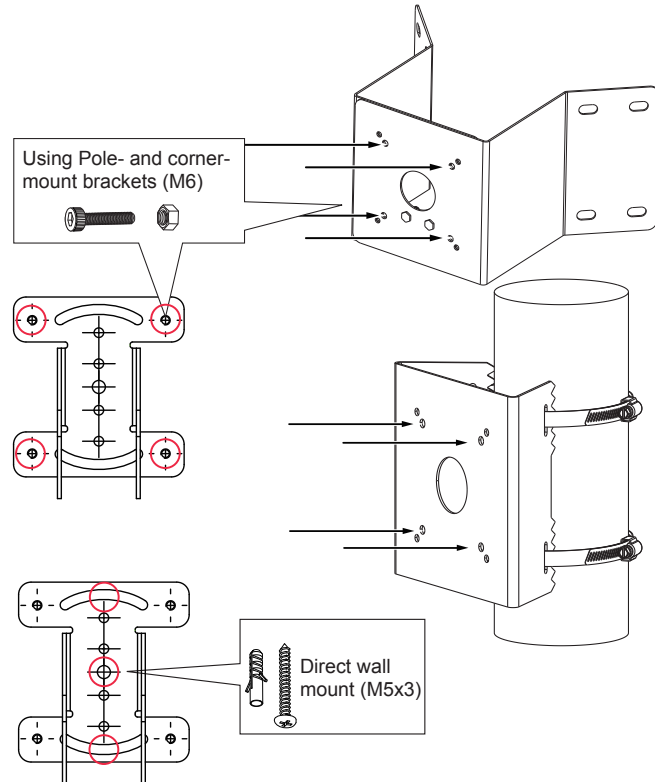
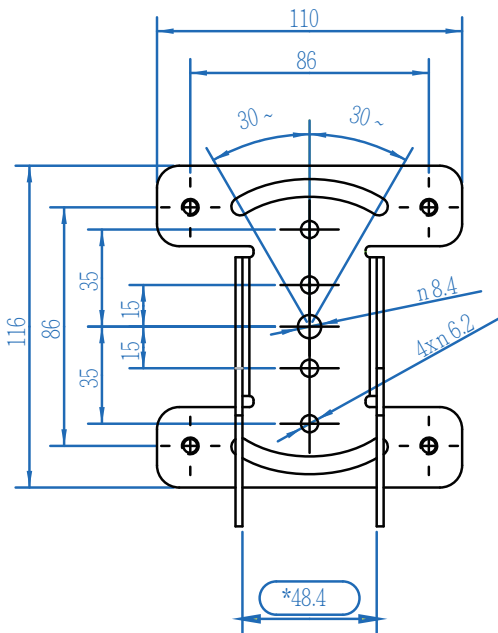
CMA-B05 Installation Guide

Rev. 1.0

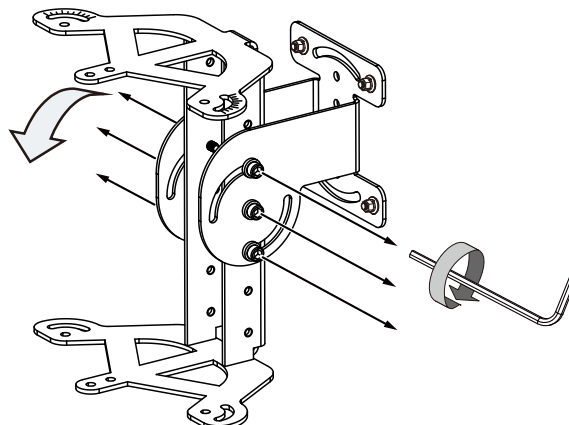
| No. of illuminators | Applicable Brackets: | Adjustable Angle | Included screws |
|---------------------|---|------------------|-----------------------|
| Type 1 2 | Pole-mount: AM-311, AM-312 Corner-mount: AM-411, AM-412 | Yes | Hex socket: M6x1 x 12 |
| Type 2 3 | <u>CMA-B06 is required.</u> Pole-mount: AM-311, AM-312 Corner-mount: AM-411, AM-412 | Yes | Hex socket: M6x1 x 15 |

Type 1 Installation: Dual Illuminators

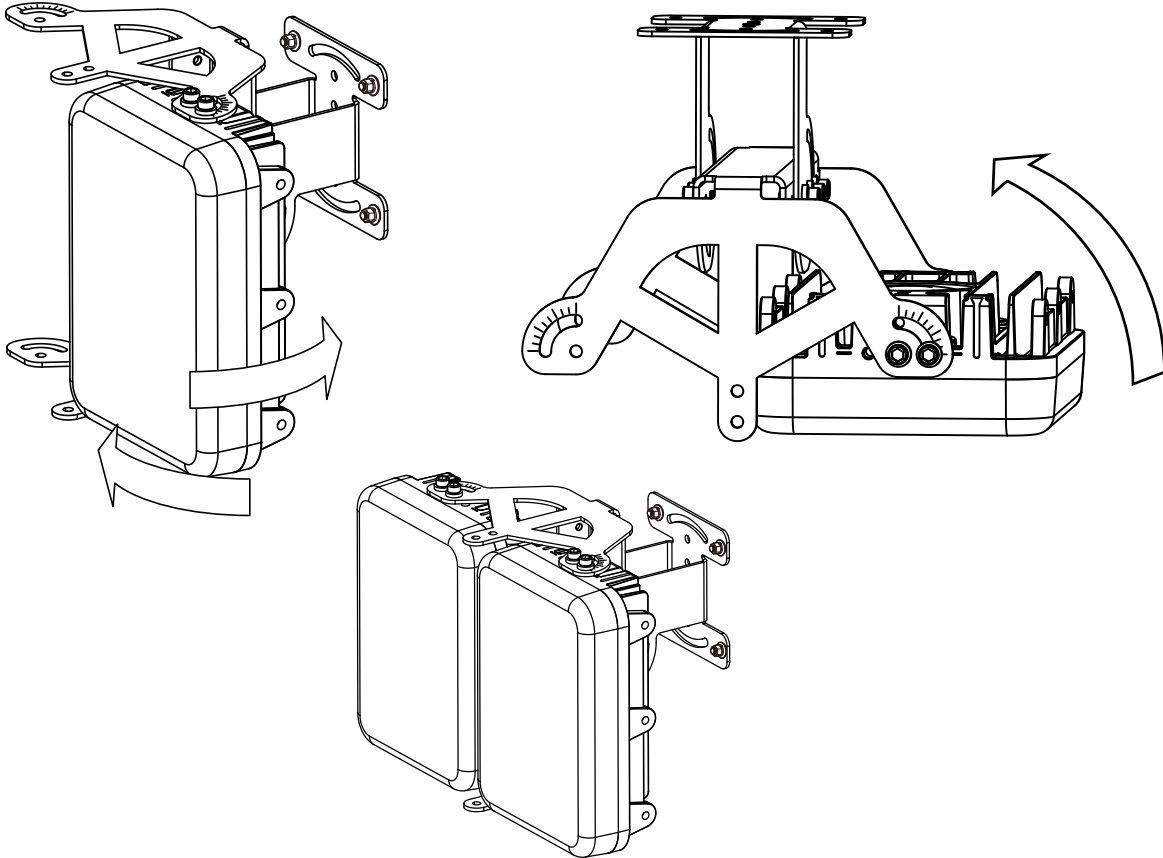
1. Install the base plate directly to a wall, to a pole-mount, or to a corner-mount bracket. Refer to the Installation Guide that came with the mounting brackets for more information.



2. Secure the retention bracket to the base plate using 6 M6 socket screws. You can tilt its angle while doing it.

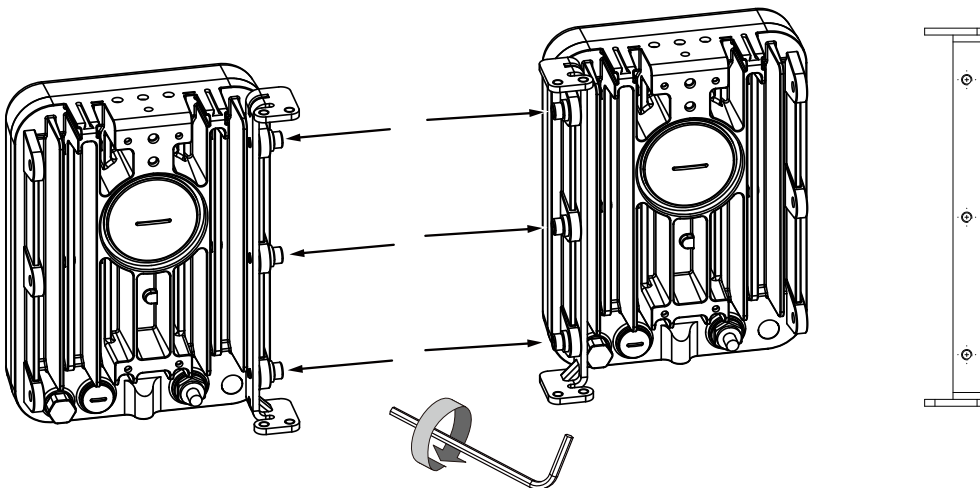


3. Secure the illuminators to the brackets using 4 included hex socket screws. If preferred, you can turn the illuminators to be facing outwards to avoid over-lapping the IR light coverage areas.

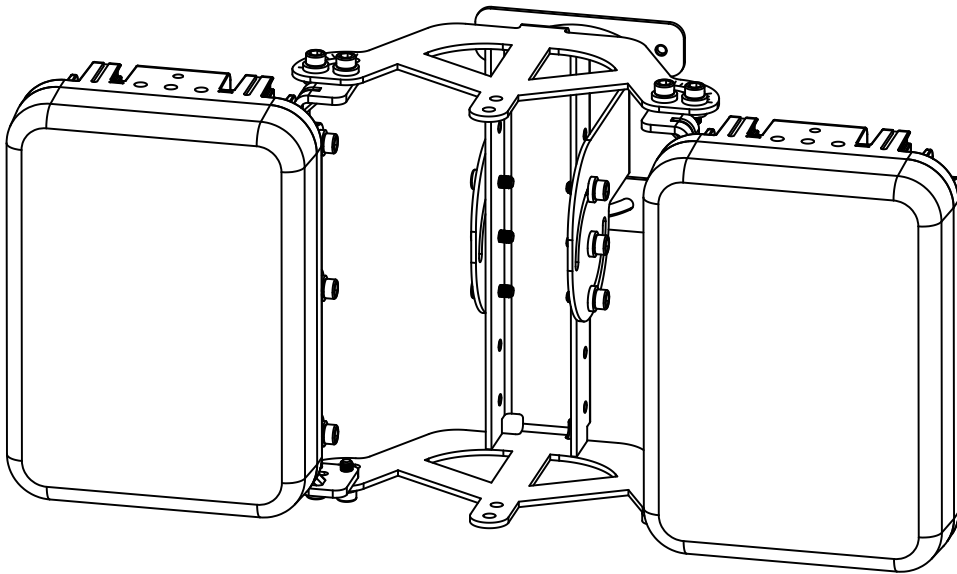
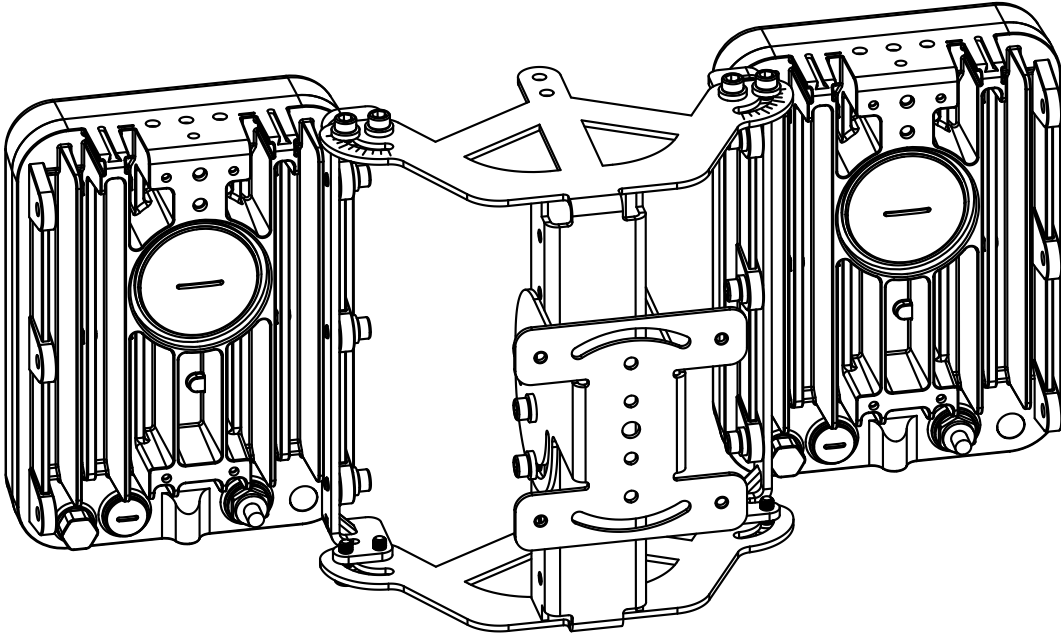


Type 2 Installation: 3 Illuminators Using the CMA-B06 Extension Bracket

1. Install the base plate directly to a wall, to a pole-mount, or to a corner-mount bracket. See page 1 for information.
2. Secure the B06 extension brackets to the side of illuminators .



3. Secure two illuminators to sides of B05 mounting bracket, each using 4 M6 socket screws.



4. Install another illuminator to the center. Adjust the pan and tilt angles if preferred.

