

## iA H.265 360-degree Indoor Dome Camera

Panasonic WV-X4171 captures the highest quality images in even very challenging and dynamic environments.

In particular, the image of the person's face or object at the edge of the fisheye is clear with less distortion.

Intelligent Auto (iA) monitors scene dynamics and motion to adjust key camera settings automatically in real-time reducing distortion such as motion blur on moving objects. Adopting H.265 Smart Coding technology, bandwidth efficiency is intelligently increased for longer recording and less storage. Out of the box, the camera supports full data encryption streaming and is compliant to FIPS 140-2 Level 1 standards to keep your video secured.

### Extreme image quality for evidence capturing under challenging conditions

- Clear and less distorted image of the person's face and objects at the edge of the fisheye
- Instant response to sudden light changes like tunnel entry and exit
- Auto Shutter speed control for fast moving objects
- Super Dynamic 108dB for backlit situations and shadows on night streets

### Extreme H.265 compression with new Smart Coding

- Longer recording and less storage space compared to any H.264 based compression techniques
- New self-learning ROI\* encoding (Auto VIQS) dynamically detects motion areas to keep vehicles and humans in good picture quality while lowering your bandwidth \*Region of Interest

### Extreme Data Security

- Full encryption SD card edge recording to keep your data safe
- FIPS 140-2 Level 1 compliant
- Full end-to-end system encryption with supported VMS and devices to protect from IP snooping/spoofing and detect data alteration

### Complete with powerful analytics built-in\*

- Heat map : Visualization of people's traffic pattern and staying times
- People Counting : Statistics data on the number of people entering and leaving a specific zone
- MOR (Moving Object Remover) : Monitoring of only the surrounding environment by removing people and other moving objects from video \*To enable analytics, please add the optional WV-SAE200 software.

### Key Features

- 9 Megapixel fisheye images up to 30 fps
- iA (intelligent Auto)
- Super Dynamic 108dB
- H.265 Smart Coding
- FIPS 140-2 Level 1 compliant

### Applications

- Transportation (Airport / Subway station)
- Logistics / Factory
- Education / Hospital
- Retail / Bank
- Building



## Specifications

<b>Camera</b>	Image Sensor	Approx. 1/2 type MOS image sensor
	Minimum Illumination	Color : 0.3 lx, BW : 0.2 lx (F1.9, Maximum shutter : Off (1/30 s), AGC : 11) Color : 0.02 lx, BW : 0.01 lx (F1.9, Maximum shutter : Max. 16/30s, AGC : 11) <sup>*1</sup>
	Intelligent Auto	On / Off
	Maximum shutter	Max. 16/30s to Max. 1/10000s
	Super Dynamic <sup>2</sup>	On / Off, the level can be set in the range of 0 to 31.
	Dynamic Range	108 dB (Super Dynamic : On, level : 31)
	Image Settings	Gain (AGC), White balance
	Image Compensation	Adaptive black stretch, Back light compensation (BLC), Fog compensation, High light compensation (HLC), Digital noise reduction
	Day / Night (Electrical)	Off / Auto
	Video Motion Detection (VMD)	On / Off, 4 areas available
	Intelligent VMD (i-VMD) <sup>3</sup>	Type 5 <sup>*</sup> optional plug-in software WV-SAE200
	Privacy Zone	On / Off (up to 8 zones available)
	Camera Title (OSD)	On / Off Up to 20 characters (alphanumeric characters, marks)
	Fixing angle adjustment	-5°, 0°, +5°
<b>Lens</b>	Zoom Ratio	1x
	Digital (electronic) zoom	Choose from 3 levels of x1, x2, x4
	Focal length	1.4 mm (1/16 inches)
	Maximum Aperture Ratio	1 : 1.9
	Focus range	0.5 m (19-11/16 inches) - ∞
	Angular Field of view	Horizontal : 183° Vertical : 183°
<b>Browser GUI</b>	Camera Control	Brightness, AUX On / Off
	Audio	Mic (Line) Input : On / Off Volume adjustment : Low / Middle / High Audio Output : On / Off Volume adjustment : Low / Middle / High
	GUI / Setup Menu Language	English, Italian, French, German, Spanish, Portuguese, Russian, Chinese, Japanese
<b>Network</b>	Network IF	10Base-T / 100Base-TX, RJ45 connector
	Resolution	<Ceiling> <Wall>
		<Ceiling>
		<Wall>

\*1 Converted value

\*2 When "On" is selected for "Super Dynamic(SD)", the frame rate is restricted to a maximum of 15fps.

\*3 Auto VIQS, i-VMD, can not be used at the same time.

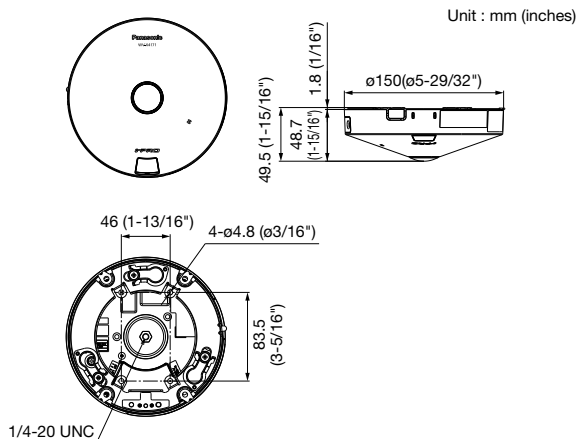
<b>Network</b>	H.265/ H.264 <sup>4</sup>	Transmission Mode	Constant bit rate / VBR / Frame rate / Best effort
	JPEG	Transmission Type	Unicast / Multicast
	Smart Coding	Image Quality	10 steps
	Audio Compression	GOP (Group of pictures) control :	On (Frame rate control) / On (Advanced)* / On (Low) / On (Mid) / Off *On (Frame rate control) and On (Advanced) are only available with H.265.
	Supported Protocol	Auto VIQS :	On / Off
	Maximum concurrent access number	G.726 (ADPCM) :	16 kbps / 32 kbps
	SDXC/SDHC/SD Memory Card (Option)	G.711 :	64 kbps
	Mobile Terminal Compatibility	AAC-LC <sup>5</sup> :	64 kbps / 96 kbps / 128 kbps
	Alarm Source	IPV6 :	TCP/IP, UDP/IP, HTTP, HTTPS, FTP, SMTP, DNS, NTP, SNMP, DHCPv6, RTP, MLD, ICMP, ARP, IEEE 802.1X, DiffServ
	Alarm Actions	IPV4 :	TCP/IP, UDP/IP, HTTP, HTTPS, RTSP, RTP, RTP/RTCP, FTP, SMTP, DHCP, DNS, DDNS, NTP, SNMP, UPnP, IGMP, ICMP, ARP, IEEE 802.1X, DiffServ
Input/Output	Monitor output (for adjustment)	VBS : 1.0 V [p-p] / 75 Ω, composite, ø3.5 mm mini jack	
Audio Input	For microphone	An NTSC or PAL signal can be outputted from camera	
Audio Output <sup>6</sup>	For line	ø3.5 mm stereo mini jack, Recommended applicable microphone : Plug-in power type (Sensitivity of microphone : -48 dB ± 3 dB (0 dB=1 V / Pa, 1 kHz)) Input impedance : Approx. 2 kΩ (unbalanced) Supply voltage : 2.5 V ± 0.5 V Input level : Approx. -10 dBV	
External I/O Terminals	Built-in microphone	Nondirectional electret condenser microphone	
Safety	ALARM IN1 (Alarm input 1/ Auto time adjustment input) (x1)	ø3.5 mm stereo mini jack (monaural output)	
EMC	ALARM IN2 (Alarm input 2/ ALARM OUT) (x1)	Output impedance : Approx. 600 Ω (unbalanced) Output level : -20 dBV	
Power Source and Power Consumption	ALARM IN3 (Alarm input 3/ AUX OUT) (x1)		
Ambient Operating Temperature	UL (UL60950-1), c-UL (CSA C22.2 No.60950-1), CE, IEC60950-1		
Ambient Operating Humidity	FCC (Part15 ClassA), ICES003 ClassA, EN55032 ClassB, EN55024		
Dimensions	DC power supply : DC 12 V 560 mA/Approx. 6.7 W		
Mass (approx.)	PoE (IEEE802.3af compliant)	Device : DC 48 V 150 mA/Approx. 7.2 W (Class 0 device)	
Finish	DC power supply : DC 12 V 560 mA/Approx. 6.7 W		

\*4 Transmission for 2 streams can be individually set.

\*5 Only use AAC-LC (Advanced Audio Coding - Low Complexity) when recording audio on an SD memory card.

\*6 The audio output can be switched to the monitor output. Refer to the Operating Instructions on the provided CD-ROM for descriptions of how to switch the output. (factory shipment : NTSC monitor)

## Appearance



### Trademarks and registered trademarks

- iPad and iPhone are trademarks of Apple Inc., registered in the U.S. and other countries.
- Android is a trademark of Google Inc.
- ONVIF and the ONVIF logo are trademarks or registered trademarks of ONVIF Inc.
- All other trademarks identified herein are the property of their respective owners.

DISTRIBUTED BY :

## Optional Accessories

### Ceiling Mount Bracket WV-Q105A



### Plug-in Software for i-VMD WV-SAE200

- i-VMD is possible to detect objects in the specified area by advanced video analysis technology.
- i-VMD : People Counting, Heat-map, MOR(Moving Object Remover), Intruder Detection, Loitering Detection, Cross line Detection, Object Detection, Scene change Detection



Notification sent to the monitoring screen

### Important

- Safety Precaution : Carefully read the Important Information, Installation Guide and operating instructions before using this product.
- Panasonic cannot be responsible for the performance of the network and/or other manufacturers' products used on the network.
- Masses and dimensions are approximate. • Specifications are subject to change without notice.

# Panasonic

<http://security.panasonic.com>

<http://www.facebook.com/PanasonicNetworkCamera>

(2A-204BA)