

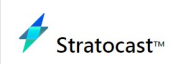


IB9387-HT-A

Bullet Network Camera

5MP 30fps • 2MP 60fps • Smart Stream III • SNV • WDR Pro • 50M IR • Smart IR II • Smart VCA

- 30 fps @ 2560x1920, 60 fps @ 1920x1080
- H.265 Compression Technology
- Smart Stream III to Optimize Bandwidth Efficiency
- SNV (Supreme Night Visibility) for Low Light Conditions
- WDR Pro to Provide Extreme Visibility in Extremely Bright or Dark Environments
- Built-in IR illuminators, effective up to 50 meters
- Smart IR II Technology to Avoid Overexposure
- Smart Motion Detection to Reduce False Alarms
- Smart VCA (Intrusion Detection, Loitering Detection, Line Crossing Detection)
- Trend Micro IoT Security
- Weather-proof IP66, IP67 and Vandal-proof IK10-rated Housing



Technical Specifications

System Information

| | |
|-------|---------------------------------|
| Model | IB9387-HT-A |
| CPU | Multimedia SoC (System-on-Chip) |
| Flash | 256MB |
| RAM | 1GB |

Camera Features

| | |
|-------------------------------|---|
| Image Sensor | 1/2.7" Progressive CMOS |
| Max. Resolution | 2560x1920 (5MP) |
| Lens Type | Motorized, Vari-focal, Remote Focus |
| Focal Length | f = 2.7 ~ 13.5 mm |
| Aperture | F1.4 ~ 2.8 |
| Auto-iris | P-iris |
| Field of View | 30° ~ 100° (Horizontal) 23° ~ 72° (Vertical) 38° ~ 135° (Diagonal) |
| Shutter Time | 1/5 sec. to 1/32,000 sec. |
| WDR Technology | WDR Pro |
| Day/Night | Yes |
| Removable IR-cut Filter | Yes |
| IR Illuminators | Built-in IR illuminators up to 50 meters with Smart IR II, IR LED*6 |
| Minimum Illumination | 0.075 Lux @ F1.4 (Color) <0.01 lux @ F1.4 (B/W) 0 Lux with IR illumination on |
| Tilt Range | 90° |
| Rotation Range | 180° |
| Pan/Tilt/Zoom Functionalities | ePTZ: 48x digital zoom (4x on IE plug-in, 12x built-in) |
| On-board Storage | Slot type: MicroSD/SDHC/SDXC card slot Seamless Recording |

Video

| | |
|--------------------|--|
| Video Compression | H.265, H.264, MJPEG |
| Maximum Frame Rate | 30 fps @ 2560x1920 (WDR Pro on) 30 fps @ 2560x1440 (WDR Pro on) 60 fps @ 1920x1080 (WDR Pro off) |
| Maximum Streams | 3 simultaneous streams |
| S/N Ratio | 57 dB |
| Dynamic Range | 120 dB |
| Video Streaming | Adjustable resolution, quality and constant bit rate control, Smart Stream III |
| Image Settings | Time stamp, text overlay, flip and mirror, configurable brightness, contrast, saturation, sharpness, white balance, exposure control, gain, backlight compensation, privacy masks, scheduled profile settings, HLC, defog, 3DNR, video rotation, EIS |

Audio

| | |
|-------------------|---|
| Audio Capability | Two-way Audio (full duplex) |
| Audio Compression | G.711, G.726 |
| Audio Interface | External microphone input External line output |

Network

| | |
|-----------|--|
| Users | Live viewing for up to 10 clients |
| Protocols | 802.1X, ARP, CIFS/SMB, CoS, DDNS, DHCP, DNS, FTP, HTTP, HTTPS, ICMP, IGMP, IPv4, IPv6, NTP, PPPoE, QoS, RTSP/RTP/RTCP, SMTP, SNMP, SSL, TCP/IP, TLS, UDP, UPnP |
| Interface | 10 Base-T/100 Base-TX Ethernet (RJ-45) *It is highly recommended to use standard CAT5e & CAT6 cables which are compliant with the 3P/ETL standard. |
| ONVIF | Supported, specification available at www.onvif.org |

Solution Integration

| | |
|------------------------|---|
| Smart Motion Detection | Five-window video motion detection, people detection, time filter |
| Smart VCA | Intrusion detection, loitering detection, line crossing detection, unattended object detection, missing object detection, face detection *Please access http://license.vivotek.com/ to get the free trial license. |
| VADP Package | Deep Learning VCA (Smart Motion Detection, Smart VCA), Stratocast, Trend Micro IoT Security |

Alarm and Event

| | |
|----------------|---|
| Alarm Triggers | Motion detection, digital input, manual trigger, periodical trigger, system boot, recording notification, camera tampering detection, audio detection, SD card life expectancy, shock detection, cybersecurity events (brute force attack event, cyberattack event, quarantine event) |
| Alarm Events | Event notification via audio clip, digital output, email, HTTP, FTP, NAS server, SD card File upload via email, HTTP, FTP, NAS server, SD card |

General

| | |
|-----------------------|--|
| Connectors | RJ-45 cable connector for 10/100Mbps Network/PoE connection Audio input Audio output AC 24V power input DC 12V power input Digital input *2 Digital output *2 BNC out |
| LED Indicator | System power and status indicator |
| Power Input | AC 24V DC 12V IEEE 802.3af PoE Class 0 (Power Redundancy) |
| Power Consumption | PoE: Max. 12.95/7.86 W (IR on/off) DC 12V: Max. 10.8/5.8 W (IR on/off) AC 24V: Max. 12.5/7.5 W (IR on/off) |
| Dimensions | Ø 118 x 118 x 294.6 mm |
| Weight | 1,254 g |
| Casing | IP66, IP67, IK10 (Metal Housing) |
| Safety Certifications | CE, LVD, FCC Class A, VCCI, C-Tick, UL, EN50121-4, BIS |
| Operating Temperature | Starting Temperature: -10°C ~ 50°C (14°F ~ 122°F) Working Temperature(IR on): -30°C ~ 50°C (-22°F ~ 122°F) Working Temperature (IR off): -30°C ~ 60°C (-22°F ~ 140°F) |
| Humidity | 98% |
| Warranty | 36 months |

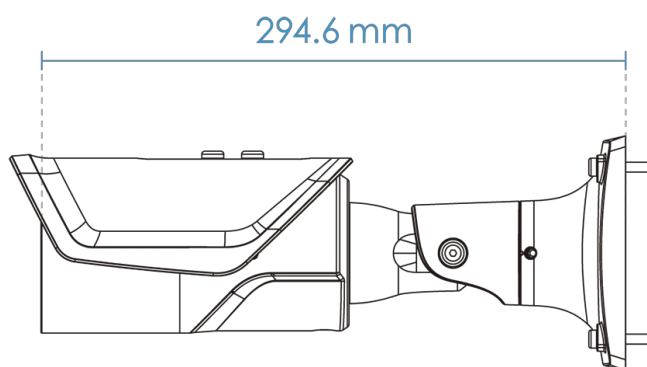
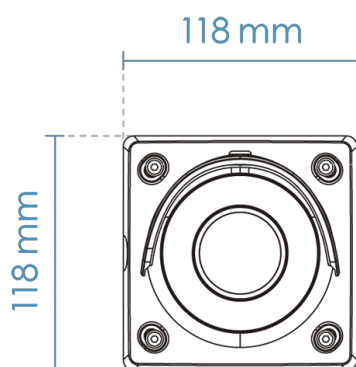
System Requirements

| | |
|------------------|--|
| Operating System | Microsoft Windows 8/7 Mac 10.12 (Chrome only) |
| Web Browser | Chrome 58.0 or above Internet Explorer 11 |
| Other Players | VLC: 1.1.11 or above |

Included Accessories

| | |
|--------|--|
| Others | Quick installation guide, warranty card, screw pack, alignment sticker, desiccant bag, waterproof accessory bag, sunshield |
|--------|--|

Dimensions



Compatible Accessories

Mounting Kits



AM-719
Junction Box

Mounting Kits



AM-312
Pole Mount Adapter

Mounting Kits



AM-412
Corner Mount Adapter