

**DS-KIS702**

**Video Intercom Two-Wire Network Bundle**

**HIKVISION**



### **Key Feature**

- Plug & play two-wire and IP based video intercom kit
- User-friendly and hands-free indoor monitor with 7-inch touch screen
- Metal outdoor panel, waterproof, IP65 rating
- 2 Mega Pixel HD fisheye camera with night vision and 180° wide viewing angle
- Receives video call on mobile App anywhere, anytime
- Supports live view of up to 16 IP cameras (ONVIF compatible)

## Approval

### Indoor Station

CE-EMC	a. EN 55032:2015 b. EN 61000-3-2:2014 c. EN 61000-3-3:2013 d. EN 50130-4:2011 +A1:2014
CE-LVD	EN 60950-1:2006 + A11:2009 + A1:2010 + A12:2011 + A2:2013
CE-RED	a. EN 201 489-1 V2.1.1, EN 301 489-17 V3.1.1 b. EN 300 328 V2.1.1, EN 62311:2008
CB	IEC 60950-1:2005 (Second Edition) + Am 1:2009 + Am 2:2013
FCC-SDOC	47 CFR Part 15, Subpart B
FCC-ID	a. 47 CFR Part 15, Subpart C
C-TICK(EMC)	AS/NZS CISPR 32:2015
UL	UL 60950-1 & CAN/CSA C22.2 No. 60950-1-07, Information Technology Equipment – Safety – Part 1: General Requirements
IC (EMC)	a. ICES-003:Issue 6
ROHS	2011/65/EU
REACH	Regulation (EC) No 1907/2006
WEEE	2012/19/EU

### Door Station

CE-EMC	a. EN 55032:2015 b. EN 61000-3-2:2014 c. EN 61000-3-3:2013 d. EN 50130-4:2011 +A1:2014
CE-LVD	EN 60950-1:2006 + A11:2009 + A1:2010 + A12:2011 + A2:2013
CB	IEC 60950-1:2005 (Second Edition) + Am 1:2009 + Am 2:2013
FCC-SDOC	47 CFR Part 15, Subpart B
C-TICK(EMC)	AS/NZS CISPR 32:2015
UL	UL 60950-1 & CAN/CSA C22.2 No. 60950-1-07, Information Technology Equipment – Safety – Part 1: General Requirements
ROHS	2011/65/EU
REACH	Regulation (EC) No 1907/2006
WEEE	2012/19/EU

### Video Audio Distributor

CE-EMC	a. EN 55032:2015 b. EN 61000-3-2:2014 c. EN 61000-3-3:2013 d. EN 50130-4:2011 +A1:2014
CE-LVD	EN 60950-1:2006 + A11:2009 + A1:2010 + A12:2011 + A2:2013
CE-RED	a. EN 201 489-1 V2.1.1, EN 301 489-17 V3.1.1 b. EN 300 328 V2.1.1, EN 62311:2008
CB	IEC 60950-1:2005 (Second Edition) + Am 1:2009 + Am 2:2013

FCC-SDOC	47 CFR Part 15, Subpart B
FCC-ID	a. 47 CFR Part 15, Subpart C
C-TICK(EMC)	AS/NZS CISPR 32:2015
UL	UL 60950-1 & CAN/CSA C22.2 No. 60950-1-07, Information Technology Equipment – Safety – Part 1: General Requirements
IC (EMC)	a. ICES-003:Issue 6
ROHS	2011/65/EU
REACH	Regulation (EC) No 1907/2006
WEEE	2012/19/EU

## Specification

### Indoor Station

#### System parameters

Operation system	Embedded Linux operation system
Processor basic frequency	1 GHz
Memory	128 MB
Flash	16 MB

#### Display parameters

Display screen	7-inch TFT LCD
Display resolution	1024 × 600
Operation method	Capacitive touch

#### Audio parameters

Audio input	Built-in omnidirectional microphone
Audio output	Built-in loudspeaker
Volume	Local or software control
Audio compression standard	G.711 U, G.711 A
Audio compression Rate	64 Kbps
Audio quality	Noise suppression and echo cancellation

#### Network parameters

Wired network	Two-wire network
Wireless network	Wi-Fi 802.11b/g/n
Protocol	TCP/IP, SIP, RTSP

#### Interfaces

Network interface	Two-wire interface
RS-485	1
Alarm input	8 zones alarm input
Relay output	2
TF card	Support, Max. 32 GB

#### Extended Application

Mobile client	Support
Indoor call elevator	Support
IPC	Support

#### General

Power supply mode	Two-wire
Power consumption	≤ 6 W
Working temperature	-10 °C to 50 °C (14 °F to 122 °F)
Working humidity	10% to 90%
Dimensions (W × H × D)	200 mm × 140 mm × 15.1 mm (7.87" × 5.51" × 0.59")

### Door Station

#### System parameters

Processor	Embedded microcontroller
Operation system	Embedded Linux operation system
Operation mode	One touch key

#### Video Parameters

Camera	2MP super definition camera
Night vision	Support low light and IR light supplement mode
Backlight compensation	Support
Digital noise reduction	Support
WDR	True WDR
Field of view	Horizontal 180°, vertical 96°
Video Compression Standard	H.264
Stream	Main stream: 1080p@30fps, 720p@30fps (configurable); sub stream: D1
Resolution	Main stream: 1920 × 1080, (720p configurable); sub stream: 720 × 480
Motion detection	Support
Flash-avoid frequency	50 Hz, 60 Hz

#### Audio parameters

Audio input	Built-in omnidirectional microphone
Audio intercom	Full-duplex two-way audio intercom
Audio output	Loudspeaker, 20 cm sound effect > 80 db
Audio compression standard	G.711 U
Audio compression Rate	64 Kbps
Audio quality	Noise suppression and echo cancellation

#### Tamper

Tamper	1
--------	---

#### Interfaces

RS-485	1 (inter-module connection)
Alarm input	1

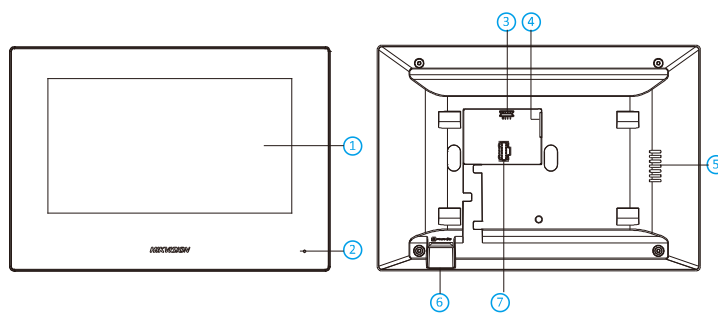
#### General

Protection level	IP 65
Button	1
Power input	24 VDC two-wire power supply (< 16 W)
Working temperature	-40 °C to 60 °C (-40 °F to 140 °F)
Working humidity	10% to 90%
Installation	Wall mounting

## Video Audio Distributor

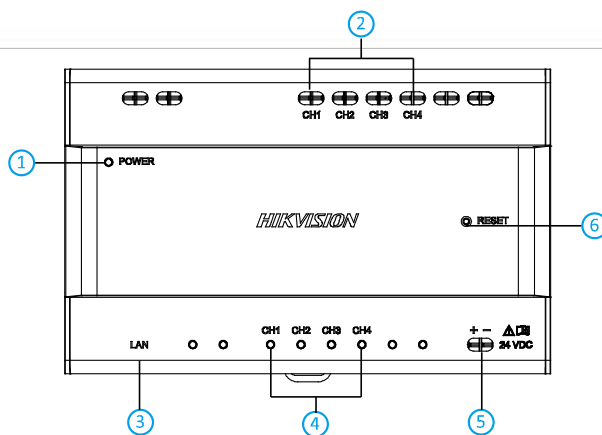
Interfaces	
Network interface	1 RJ45
Two-wire interface	4
Signal indicator	4
Power indicator	1
Reset	1
General	
Power supply	Two-wire mode
Power consumption	CH1 to CH3 < 6 W, CH4 < 8 W
Working temperature	-10 °C to +50 °C (14 °F to +122 °F)
Working humidity	10% to 90%
Digital noise reduction	Support

## Indoor Station



No.	Description	No.	Description
1	Screen	5	Loudspeaker
2	Microphone	6	TF Card Slot
3	Debugging Port	7	Terminals
4	Network Interface and Power Supply		

## Video Audio Distributor



No.	Description	No.	Description
1	Power Indicator	4	Network Indicator
2	Terminals	5	Power Input
3	LAN	6	Reset

## Available Model

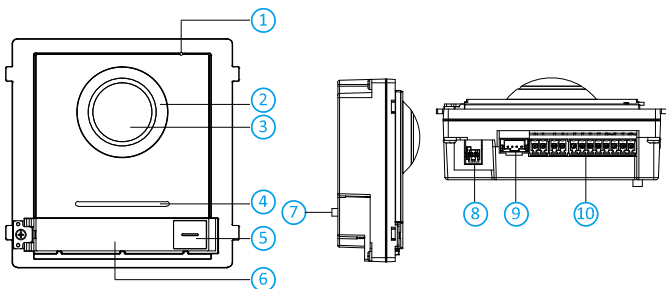
DS-KIS702

## Weight

1.9642Kg

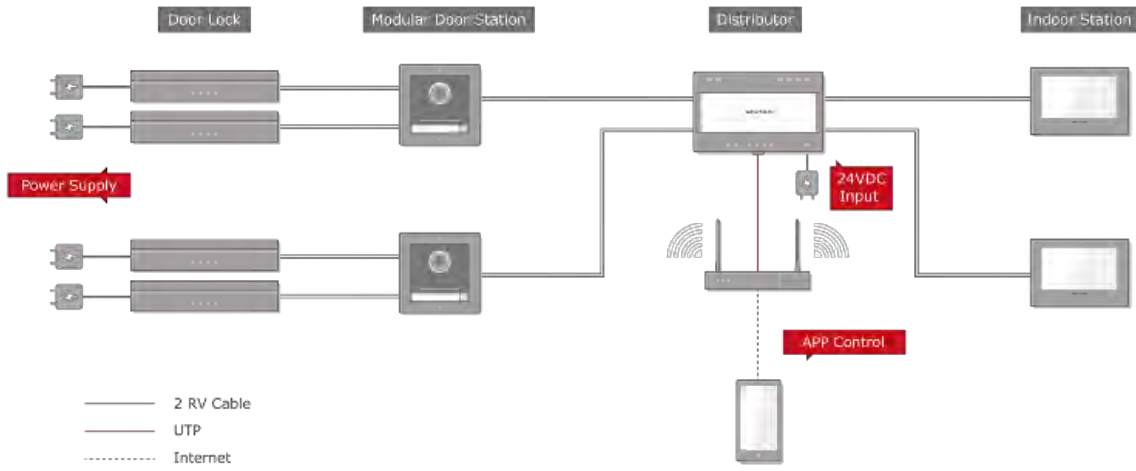
## Appearance and Interfaces

### Door Station



No.	Description	No.	Description
1	Microphone	6	Nametag
2	Low Illumination IR Supplement Light	7	TAMPER
3	Built-in Camera	8	Two-wire Interface
4	Loudspeaker	9	Module-connecting Interface (output)
5	Call Button	10	Terminals

**Typical Application**



Distributed by:

**HIKVISION®****Headquarters**

No.555 Qianmo Road, Binjiang District,  
Hangzhou 310051, China  
T +86-571-8807-5998  
overseasbusiness@hikvision.com

**Hikvision USA**  
T +1-909-895-0400  
sales.usa@hikvision.com

**Hikvision Australia**  
T +61-2-8599-4233  
salesau@hikvision.com

**Hikvision India**  
T +91-22-28489900  
sales@premahikvision.com

**Hikvision Canada**  
T +1-866-200-6890  
sales.canada@hikvision.com

**Hikvision Thailand**  
T +662-275-9949  
sales.thailand@hikvision.com

**Hikvision Europe**  
T +31-23-5542770  
sales.eu@hikvision.com

**Hikvision Italy**  
T +39-0438-6902  
info.it@hikvision.com

**Hikvision Brazil**  
T +55 11 3318-0050  
Latam.support@hikvision.com

**Hikvision Turkey**  
T +90 (216)521 7070- 7074  
sales.tr@hikvision.com

**Hikvision Malaysia**  
T +601-7652-2413  
sales.my@hikvision.com

**Hikvision UK & Ireland**  
T +01628-902140  
sales.uk@hikvision.com

**Hikvision South Africa**  
Tel: +27 (10) 0351172  
sale.africa@hikvision.com

**Hikvision France**  
T +33(0)1 85-330-450  
info.fr@hikvision.com

**Hikvision Kazakhstan**  
T +7-727-9730667  
nikia.panfilov@hikvision.ru

**Hikvision Vietnam**  
T +84-974270888  
sales.vt@hikvision.com

**Hikvision UAE**  
T +971-4-4432090  
salesme@hikvision.com

**Hikvision Singapore**  
T +65-6684-4718  
sg@hikvision.com

**Hikvision Spain**  
T +34-91-737-16-55  
info.es@hikvision.com

**Hikvision Tashkent**  
T +99-87-1238-9438  
uzb@hikvision.ru

**Hikvision Hong Kong**  
T +852-2151-1761  
info.hk@hikvision.com

**Hikvision Russia**  
T +7-495-669-67-99  
saleru@hikvision.com

**Hikvision Korea**  
T +82-(0)31-731-8817  
sales.korea@hikvision.com

**Hikvision Poland**  
T +48-22-460-01-50  
info.pl@hikvision.com

**Hikvision Indonesia**  
T +62-21-2933759  
Sales.Indonesia@hikvision.com

**Hikvision Colombia**  
sales.colombia@hikvision.com