

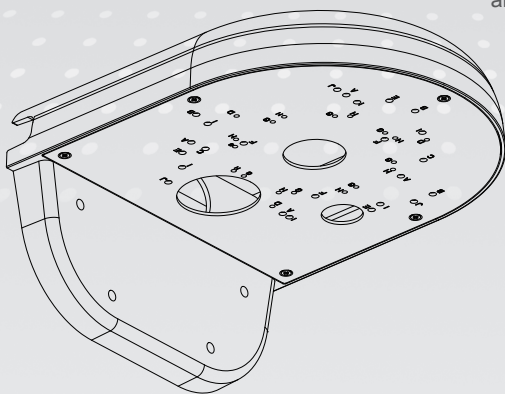
VIVOTEK Fixed Dome & PTZ Series Wall-mount Bracket

Installation Guide

Using AM-215 wall-mount bracket
and compatible accessories

Corresponding part numbers:

AM-215: 909004300G (v01)
909004301G (v02)



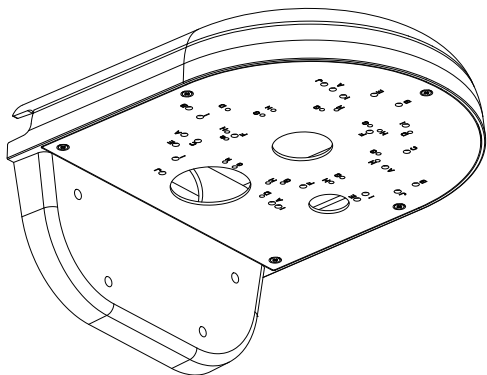
Rev. 1.2

Part no.: 625022302G

Revision History:

- * Rev. 1.0: Initial Release
- * Rev. 1.1: For 909004301G (v02). Removed FD8361, 8361L, 8131, 8134, 8131V, 8134V.
Added FD8167, 8167-T, 8138-H, 8367-V, 8367-TV, 8138-HV as the supported models.
- * Rev. 1.2: Added the corresponding ordering part number.

AM-215 Wall-mount Bracket



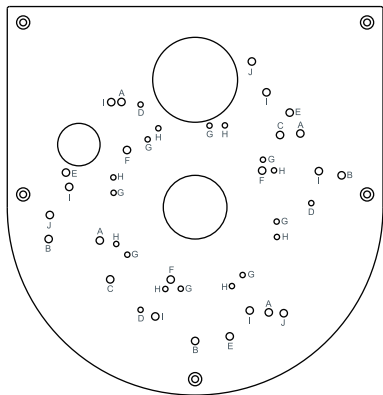
Compatible VIVOTEK Cameras

Fixed Dome series	FD8335H, FD8362, FD8363, FD8362E, FD8372, FD8371EV, FD8355EHV, FD8365EHV, FD8162, FD8163, FD8135H, FD8161, FD8137H, FD8164, FD8137HV, FD8164V, FD8136, FD8151V, FD8167, FD8167-T, FD8138-H, FD8367-V, FD8367-TV, FD8338-HV
PTZ series	PD8136

You may also refer to VIVOTEK's website for the list of supported models. Support for other models can be available through time.

II Installation

Mounting Hole Definitions



Above are the locations of different groups of mounting holes for matching different cameras:


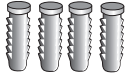
Hole Type	Applicable Cameras	Screw	No. of screws	Material char.
A	FD8335H, FD8362, FD8363, FD8362E, FD8372, FD8371EV, FD8355EHV, FD8365EHV	M4X10	4	stainless steel
B	FD8162, FD8163, FD8135H	M4X16 M4X10	2 1	stainless steel
C	FD8161	M4X16	2	
D	FD8137H, FD8164	M3X6	3	
E	FD8137HV, FD8164V	M4X10	3	
F	PD8136	M4X6	3	countersunk
G	FD8136	M3X6	2	
H	FD8151V	M3X6	2	
I	FD8167, FD8167-T, FD8138-H	M4x10	3	
J	FD8367-V, FD8367-TV, FD8338-HV	M4x10	3	


For cabling and configuration details with each network camera, please refer to their documentation.

Refer to the table below for the description of the included screws:

Screw Description	No. of screws	Material char.
M4X10	4	Stainless steel, head diameter 6.8
M4X16	2	Stainless steel
M3X6	3	Stainless steel
M4X6	3	Stainless steel, countersunk

Below are the screws and anchors for installing the bracket to wall:

Screw Description	Quantity	Applies to	
M4X40mm Phillips pan head	4	Securing the bracket to wall	
Plastic anchors, 3/16" in diameter, 1" in length	4	Securing the bracket to wall	

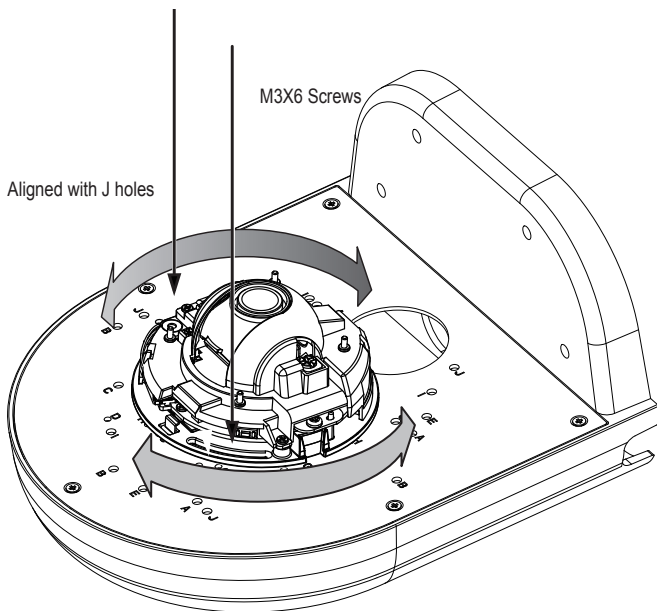
 **NOTE:**

1. It is presumed that this wall-mount bracket is installed with a hole drilled on the wall for routing power lines, DI/DO, and Ethernet cables.
2. Route cables before you secure the wall-mount bracket to a wall.
3. For details on the cable connections with each camera, please refer to their Quick Installation Guide.

Wall Mount Installation - FD8136

Below is a general, sample procedure using a wall mount bracket:

1. Locate the position where you want to install the wall mount bracket and camera. Drill holes on the wall for securing the bracket and for routing the cables.
2. Secure the bracket by hammering anchors into the wall and then fasten screws through the four mounting holes on the bracket.
3. Route power lines and other cables through the wall and the bracket.
4. Align the camera's mounting holes with 2 of the J holes. Orient the shooting direction and angles, and then secure the camera to the wall mount bracket as shown below.

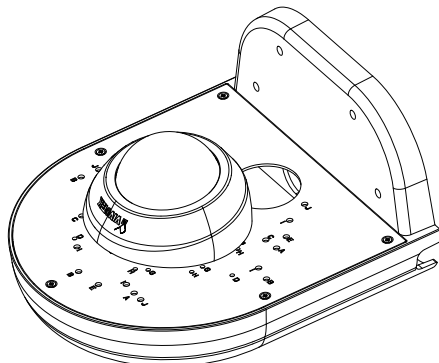


5. Install the dome cover.



IMPORTANT:

The screws and mounting surface must be able to support a weight of 4 kg.



Wall Mount Installation - FD8151V

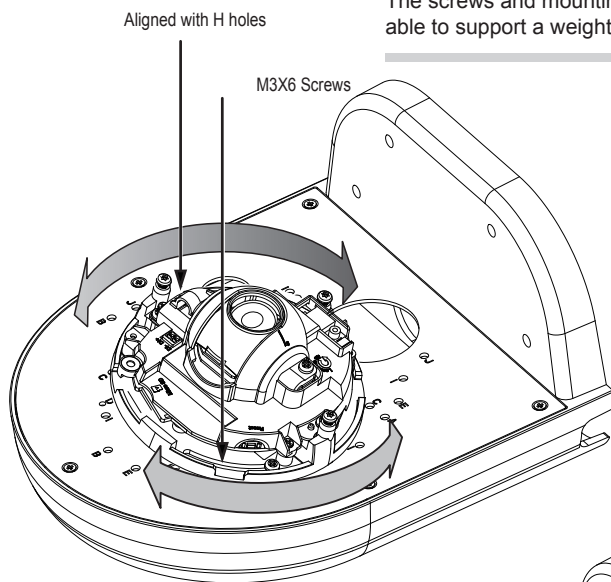
Below is a general, sample procedure using a wall mount bracket:

1. Locate the position where you want to install the wall mount bracket and camera. Drill holes on the wall for securing the bracket and for routing the cables.
2. Secure the bracket by hammering anchors into the wall and then fasten screws through the four mounting holes on the bracket.
3. Route power lines and other cables through the wall and the bracket.
4. Align the camera's mounting holes with 2 of the **K** holes. Orient the shooting direction and angles, and then secure the camera to the wall mount bracket as shown below.

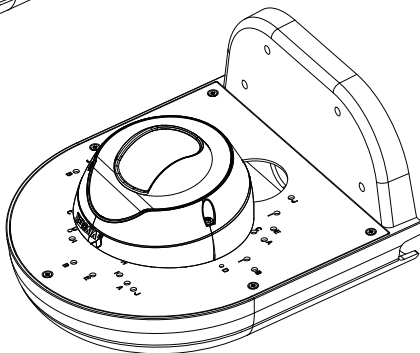


IMPORTANT:

The screws and mounting surface must be able to support a weight of 4 kg.



5. Install the dome cover.

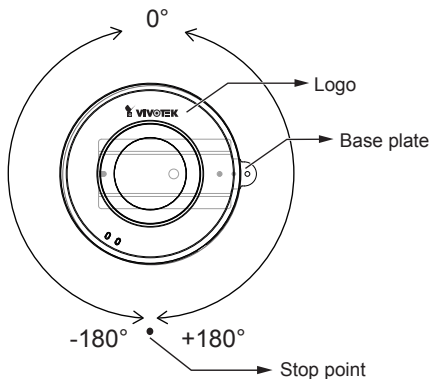


Wall Mount Installation - PD8136

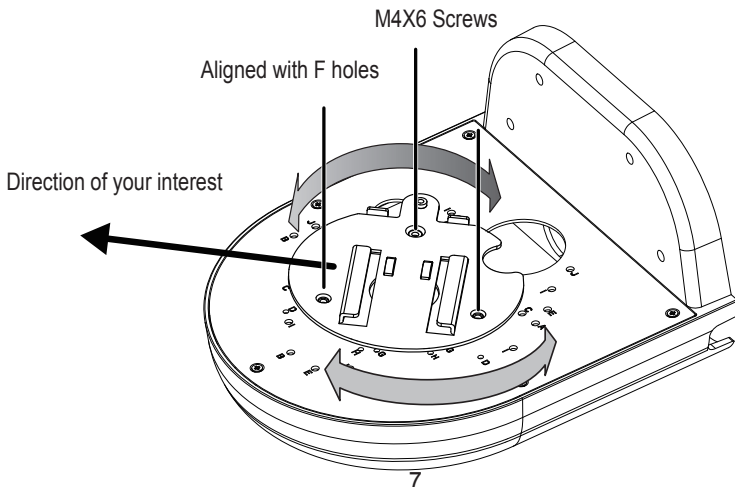
Below is a general, sample procedure using a wall mount bracket:

1. Locate the position where you want to install the wall mount bracket and camera. Drill holes on the wall for securing the bracket and for routing the cables.

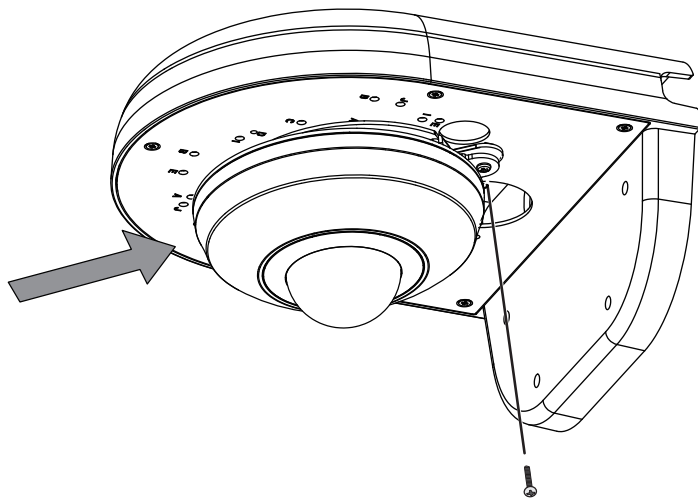
Note that the camera can not perform a 360° continuous pan. Therefore, you should orient the default 0° towards the direction of your interest.



2. Secure the bracket by hammering anchors into the wall and then fasten screws through the four mounting holes on the bracket.
3. Route Ethernet and other cables through the wall and the bracket.
4. Align the camera's mounting plate with 3 of the I holes. Orient the shooting direction, and then secure the mounting plate to the wall mount bracket as shown below.



5. Install the camera by sliding it into the mounting bracket. A base plate is attached to the bottom of the camera.
6. Secure the installation by driving an included screw.



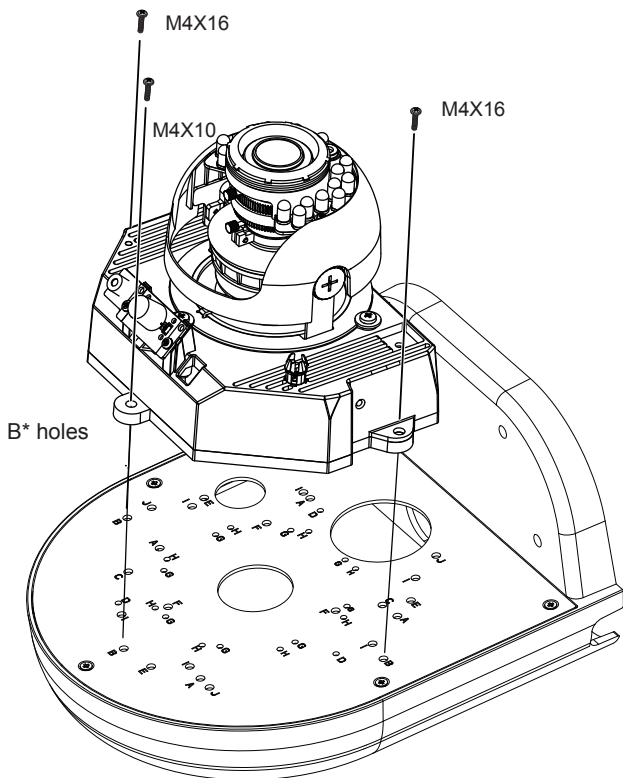
IMPORTANT:

The screws and mounting surface must be able to support a weight of 4 kg.

Wall Mount Installation - FD8162, FD8135H, or FD8163

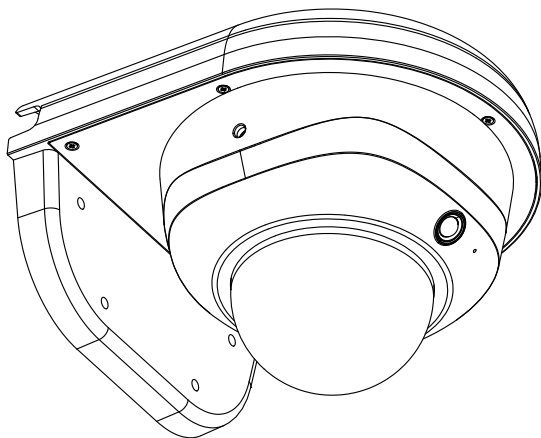
Below is a sample procedure using wall mount bracket and an FD8162:

1. Determine a hard surface wall location, and use the four mounting holes on the bracket to mark the positions where holes will be drilled to secure the bracket.



2. Drill holes on the wall for securing the bracket and for routing cables.
3. Route cables through the wall and bracket.
4. Secure the wall mount bracket to the wall using the included screws and plastic anchors.
5. Rotate the adaptor ring to match the camera lens orientation your prefer, e.g., to the front or to the left. Secure the adaptor ring to bracket using the M4X10 screws to the **B** holes on the bracket.

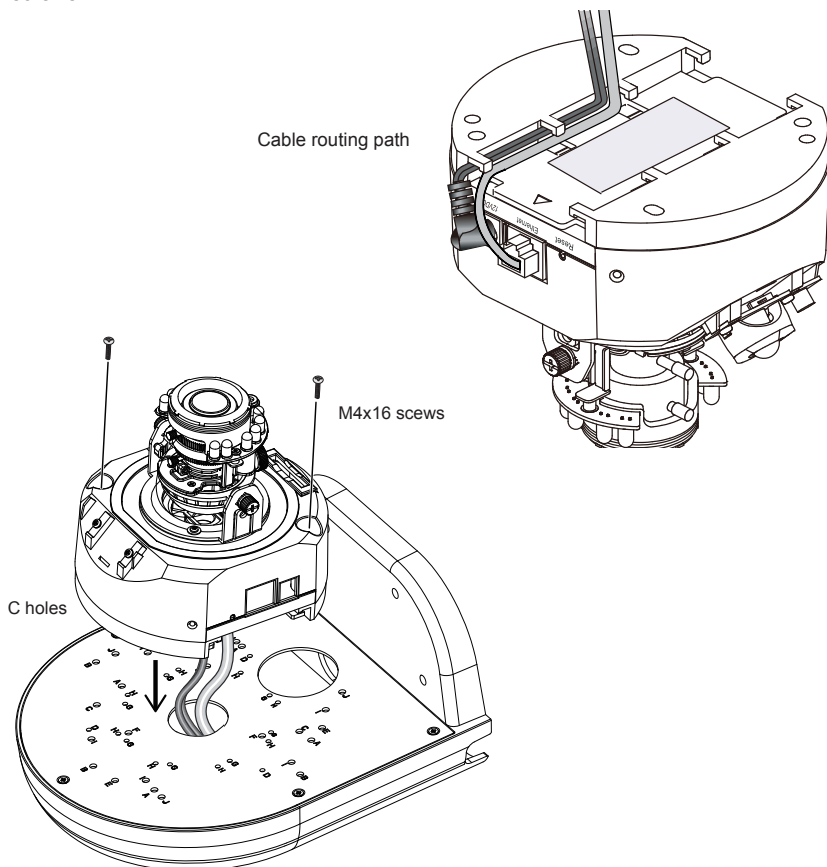
6. Connect power lines and cables to the camera.
7. Proceed with initial setup such as enabling network access, focus tuning, or zooming.
When done, secure the outer dome cover.



Wall Mount Installation - FD8161

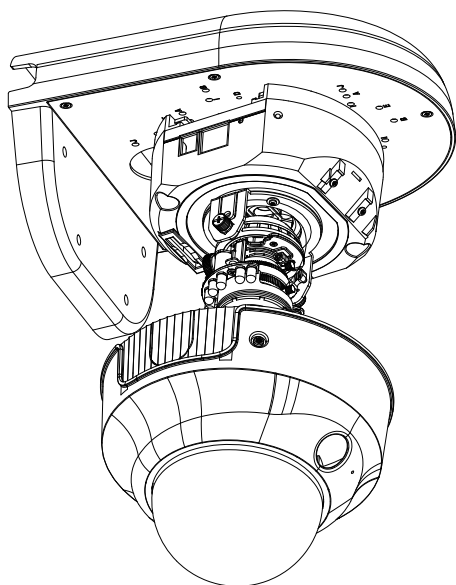
Below is a general, sample procedure using a wall mount bracket with the FD8161 camera:

1. Locate the position where you want to install the wall mount bracket and camera. Drill holes on the wall for securing the bracket and for routing cables.
2. You can route cables through the hole in the center of the bracket and the space beneath the camera.
3. Secure the wall mount bracket to the wall using the included plastic anchors and screws.



4. Attach the camera to the bracket using 2 M4X16 screws.
5. Connect cables and you may now begin the initial connection and configuration.

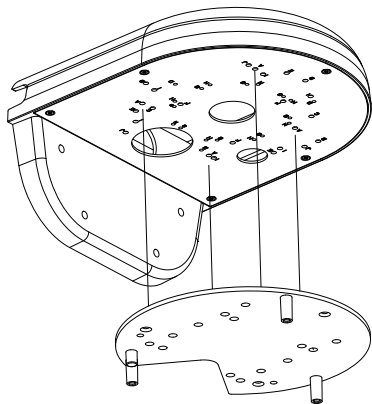
6. Attach dome cover to the camera.



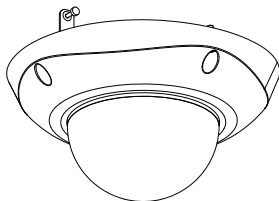
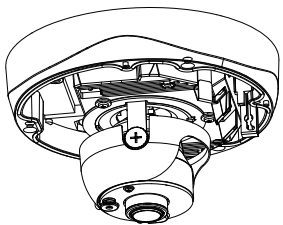
Wall Mount Installation - FD8362E / 8335H / 8372

Below is a general, sample procedure using a wall mount bracket with the FD8362E, FD8335H, and FD8372 cameras:

1. Locate the position where you want to install the wall mount bracket and camera. Drill holes on the wall for securing the bracket and for routing cables.
2. You can route cables through the hole in the center of the bracket.
3. Secure the wall mount bracket to the wall using the included plastic anchors and screws.
4. Attach the camera's mounting plate (which comes with the outdoor series cameras) to the bracket using 4 M4X10 screws, by fastening it to the **A** holes. Orient the mounting plate so that cables can pass through the cut-out and the opening on the AM-215.



5. Connect cables and you may now begin the initial connection and configuration.
6. Install the dome cover.



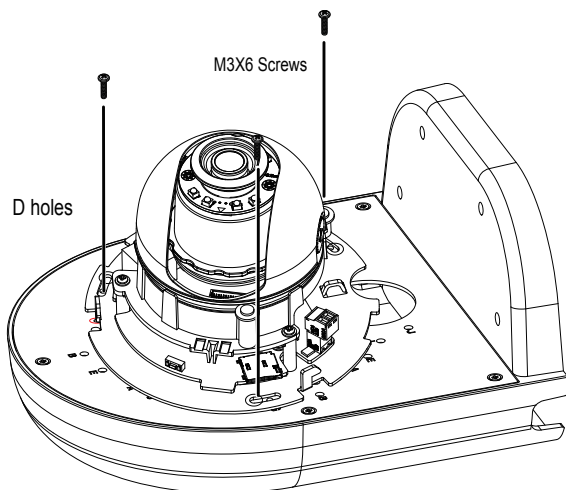
IMPORTANT:

The screws and mounting surface must be able to support a weight of 5 kg.

Wall Mount Installation - FD8164

Below is a sample procedure using wall mount bracket and an FD8164:

1. Determine a hard surface wall location, and use the four mounting holes on the wall mount bracket to mark the positions where holes will be drilled to secure the bracket.

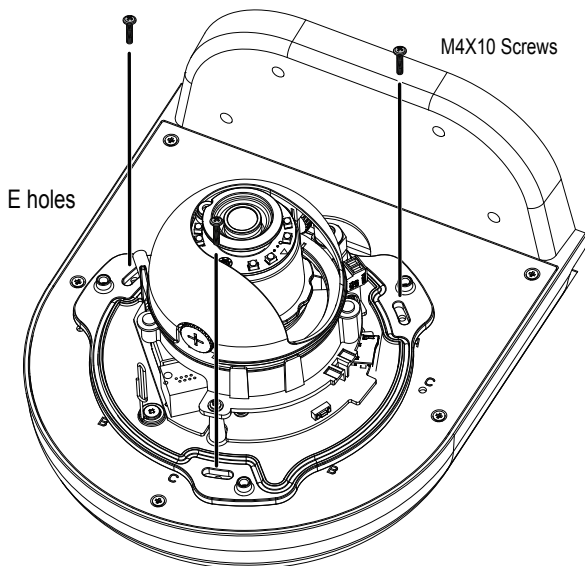


2. Drill holes on the wall for passing cables and for securing the wall mount bracket.
3. Secure the bracket by hammering anchors into the wall and then fasten screws.
4. Route power lines and other cables through the bracket and wall.
5. Secure camera to the wall mount bracket using the **G** holes and M3x6 screws.
6. Proceed with initial setup such as enabling network access, focus tuning, or zooming.
When done, secure the outer dome cover.

Wall Mount Installation - FD8164V

Below is a sample procedure using wall mount bracket and an FD8164V:

1. Determine a hard surface wall location, and use the four mounting holes on the wall mount bracket to mark the positions where holes will be drilled to secure the bracket.

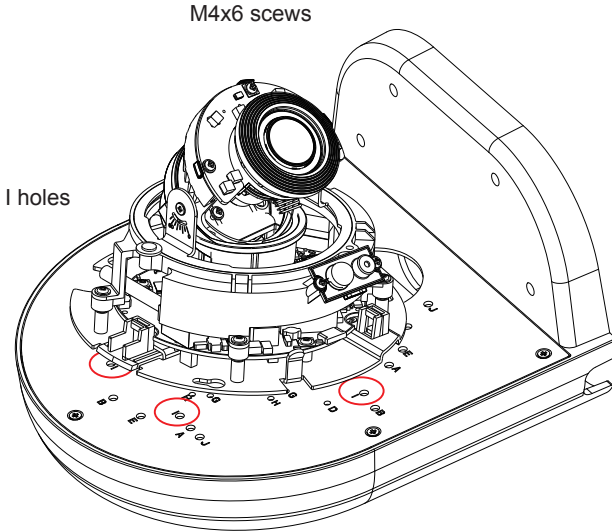


2. Drill holes on the wall for passing cables and for securing the wall mount bracket.
3. Secure the bracket by hammering anchors into the wall and then fasten screws.
4. Route power lines and other cables through the bracket and wall.
5. Secure camera to the wall mount bracket using the **H** holes and M4x10 screws.
6. Proceed with initial setup such as enabling network access, focus tuning, or zooming. When done, secure the outer dome cover.

Wall Mount Installation - FD8167

Below is a sample procedure using wall mount bracket and an FD8167:

1. Determine a hard surface wall location, and use the four mounting holes on the wall mount bracket to mark the positions where holes will be drilled to secure the bracket.

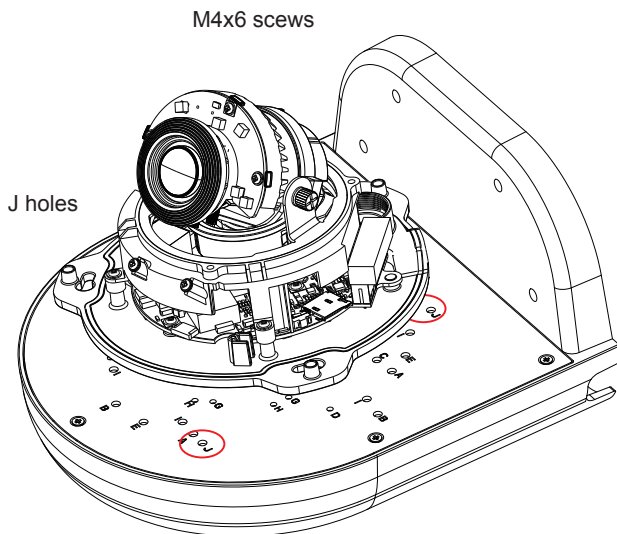


2. Drill holes on the wall for passing cables and for securing the wall mount bracket.
3. Secure the bracket by hammering anchors into the wall and then fasten screws.
4. Route power lines and other cables through the bracket and wall.
5. Secure camera to the wall mount bracket using the I holes and M4x6 screws.
6. Proceed with initial setup such as enabling network access, focus tuning, or zooming.
When done, secure the outer dome cover.

Wall Mount Installation - FD8367V

Below is a sample procedure using wall mount bracket and an FD8367V:

1. Determine a hard surface wall location, and use the four mounting holes on the wall mount bracket to mark the positions where holes will be drilled to secure the bracket.



2. Drill holes on the wall for passing cables and for securing the wall mount bracket.
3. Secure the bracket by hammering anchors into the wall and then fasten screws.
4. Route power lines and other cables through the bracket and wall.
5. Secure camera to the wall mount bracket using the J holes and M4x6 screws.
6. Proceed with initial setup such as enabling network access, focus tuning, or zooming. When done, secure the outer dome cover.

This page is intentionally left blank.