

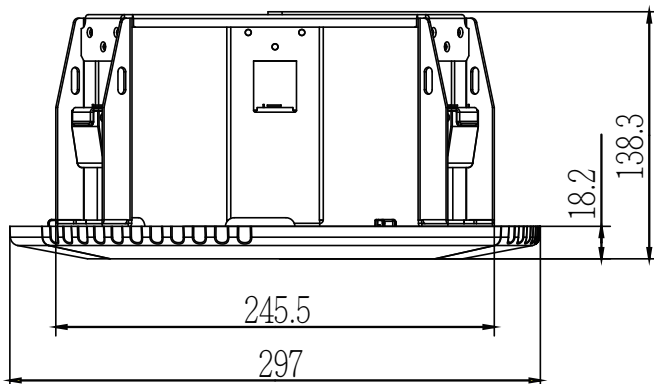
VIVOTEK Speed Dome Series AM-103 Recessed-mount Bracket

Installation Guide

Corresponding part number: 900014000G

Rev. 1.1

AM-103 Recessed-mount Bracket Mechanical Drawing



Package Contents

- Recessed-mount bracket
- Screws: 3x Roundhead M4x8
- Alignment sticker

Revision History

- Rev. 1.0: Initial release.
- Rev. 1.1: Adeed SD8364E, SD83x4E, SD83x6E, SD8333E as the supported models.

I Compatible VIVOTEK Cameras

Speed Dome series	SD8332E, SD8363E, SD8364E, SD83x4E, SD83x6E, SD8333E
-------------------	--

You may also refer to VIVOTEK's website for the list of supported models. Support for other models can be available through time.



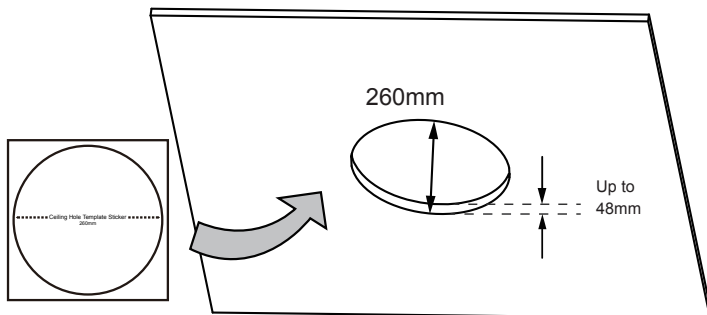
IMPORTANT:

This recessed mount bracket is for indoor use only.

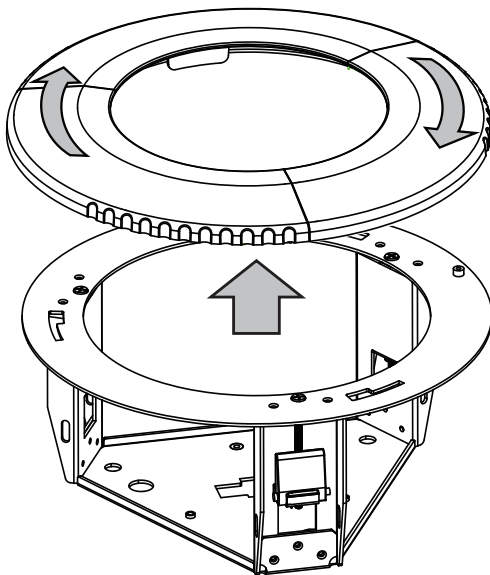
II Installation

Mounting Hole Definitions

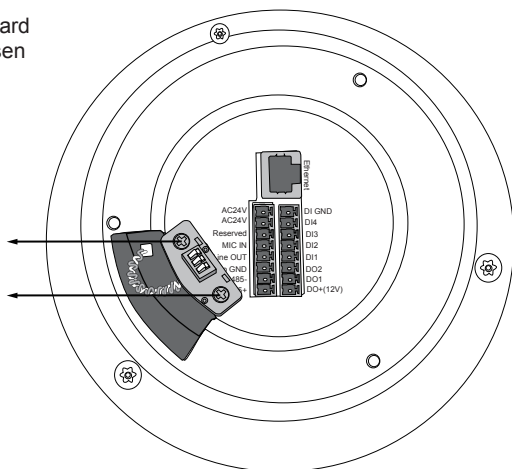
1. Determine a secure location for the recessed-mount bracket.
2. Drill or cut a 260mm hole (in diameter). The maximum thickness of the ceiling/board is 48mm. The ceiling should be able to sustain at least a weight of 6kgs.



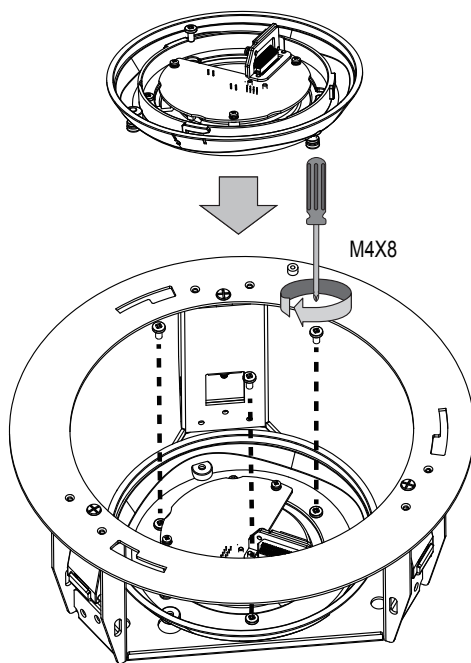
3. Remove cover ring from the mount bracket by turning it clockwise.



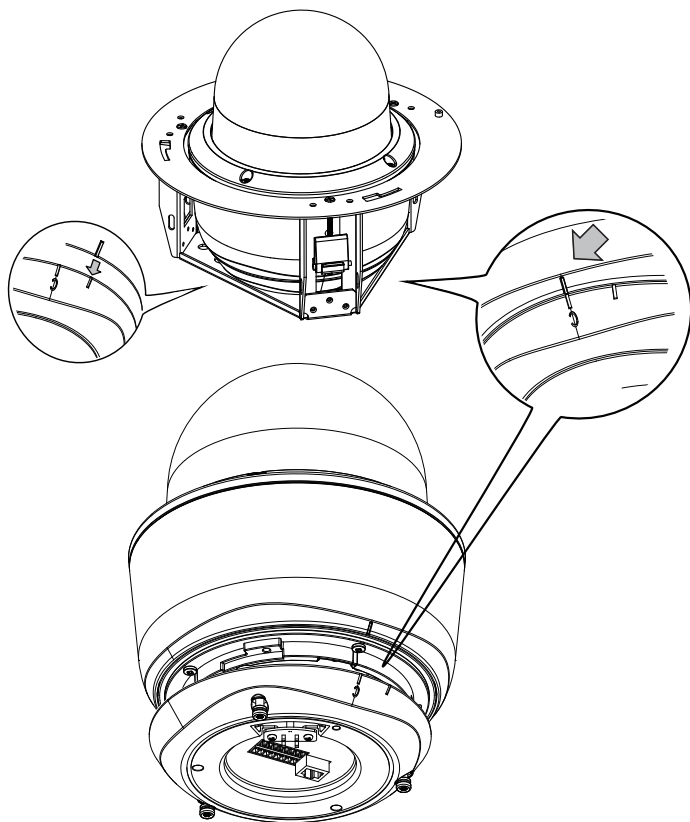
4. Remove the interface circuit board from the interface section. Loosen the two crosshead screws.



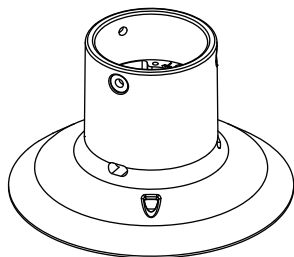
5. Fasten the black M4 machine screws to secure the interface section of the camera to the recessed-mount bracket.



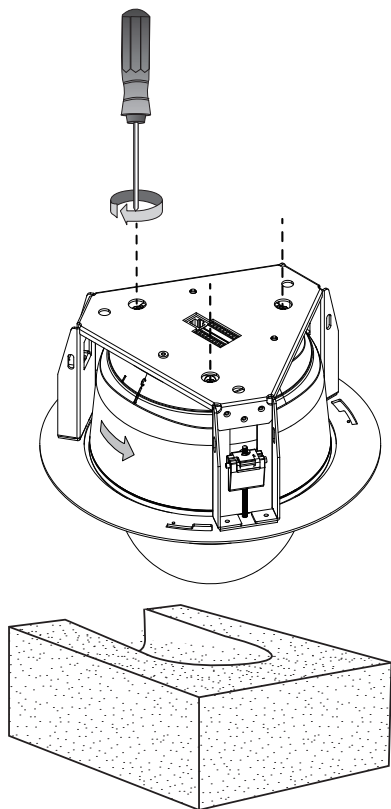
6. Attach the camera body to the interface section by aligning the indicator mark on the camera with that on the interface section. Turn the camera counter-clockwise until the indicator mark is aligned with the "C" mark.



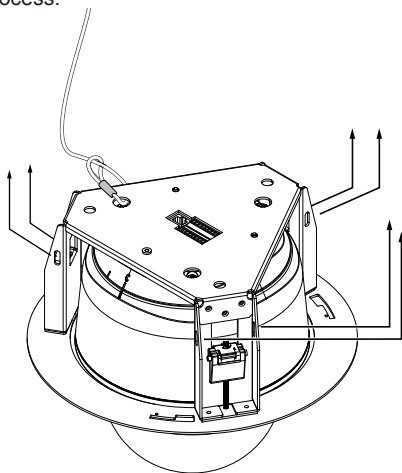
Note that the dome cap section of the camera is not used in this installation.



7. Turn the assembly over and place it carefully on the foam blocks that came with the shipping package to prevent damage to the dome cover. Secure the anti-tamper screws from the openings on the bracket using the included T25 stardriver.



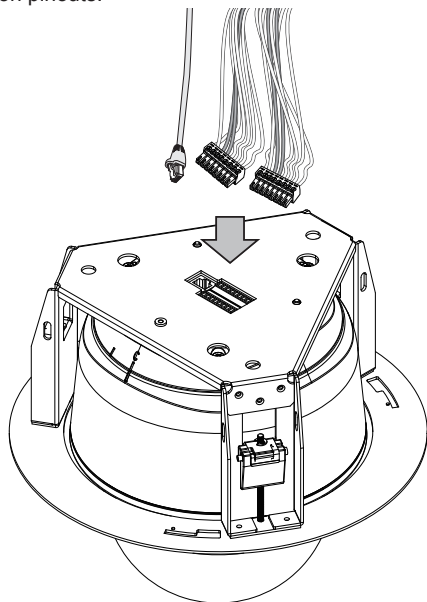
Optional: You can tie up one or more tether lines to the top or the sides of the bracket in case the bracket should fall during the installation process.



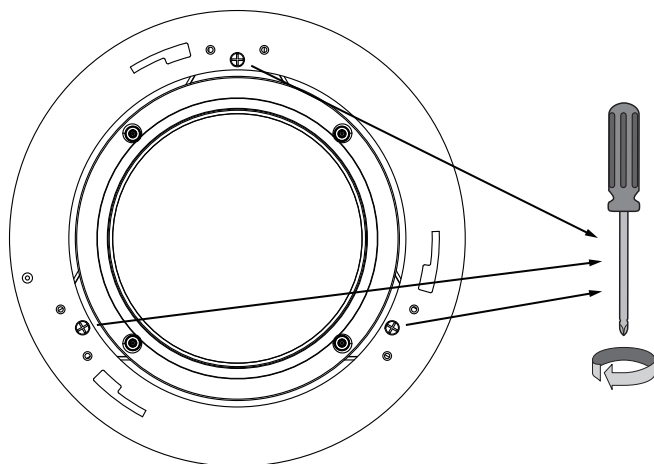
NOTE:

1. Connect and route cables before you secure the recessed-mount bracket to a ceiling.
2. For details on the cable connections with the camera, please refer to their Quick Installation Guide.

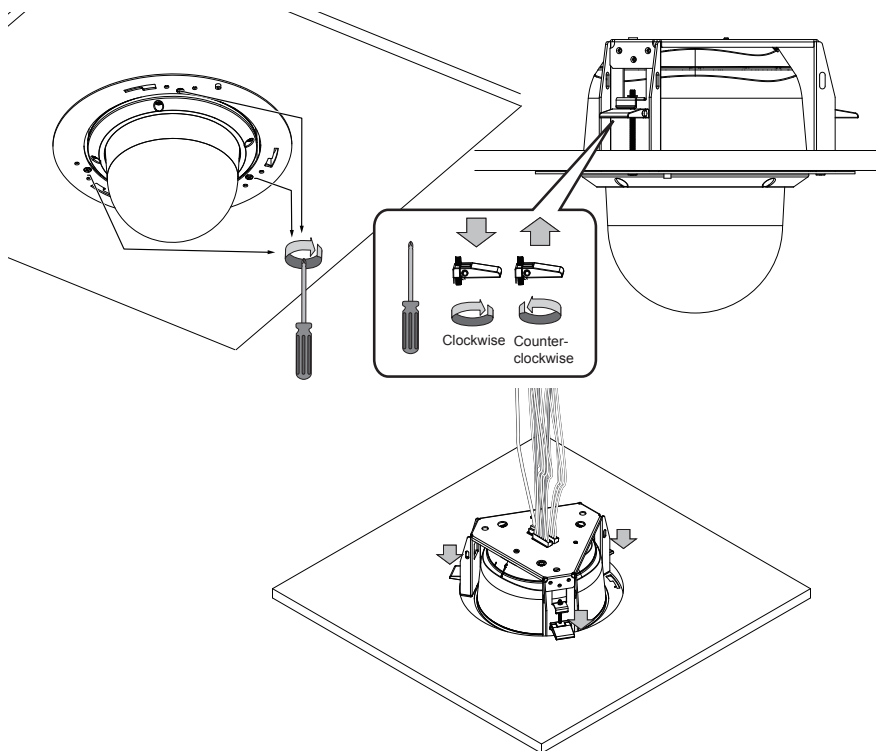
8. Connect cables to the camera. Please refer to the Quick Installation Guide for connection pinouts.



9. Use a #2 Phillips screwdriver to loosen (turning clockwise) the clamping plates, and then insert the recessed-mount bracket through the pre-drilled hole in the ceiling.



10. Use a #2 Phillips screwdriver to move the clamping plates down so that the ceiling/board is caught between the clamps and the flange on the other side of the ceiling.



11. Align and attach cover ring to the bracket by turning it counter-clockwise.

