



# AP-FEX-0150-T AP-FEX-0250-T EPoC Module

## Quick Installation Guide

### INTRODUCTION

Model	Description
AP-FEX-0150-T	EPoC Outdoor Tx Module, 1x BNC, 1x FE RJ45, -30°C~60°C, IP67, IK10
AP-FEX-0250-T	EPoC Outdoor Tx Module, 1x BNC, 2x FE RJ45, -30°C~60°C, IP67, IK10

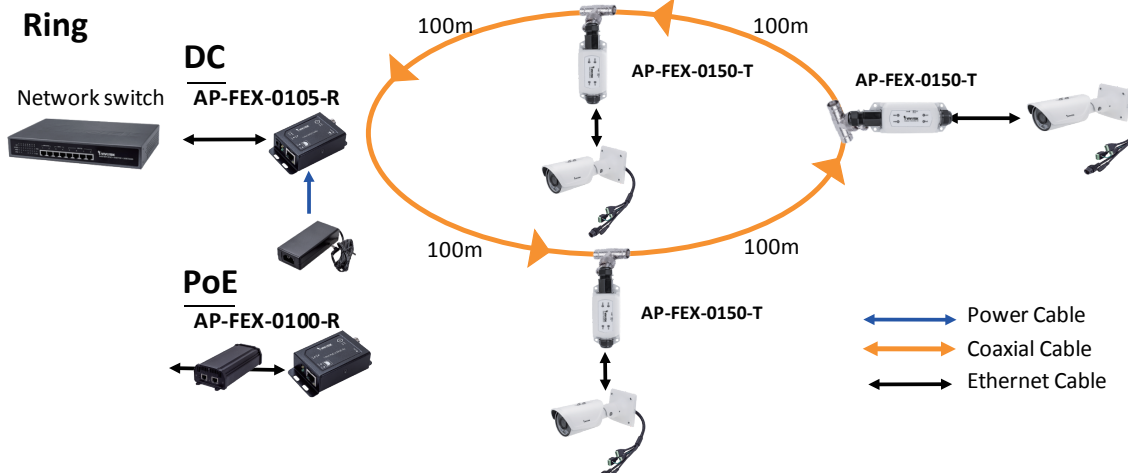
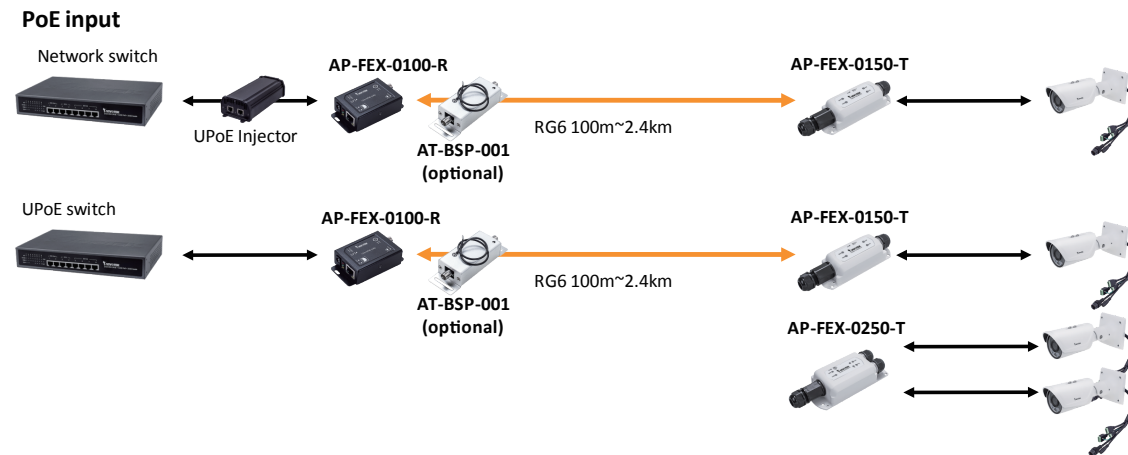
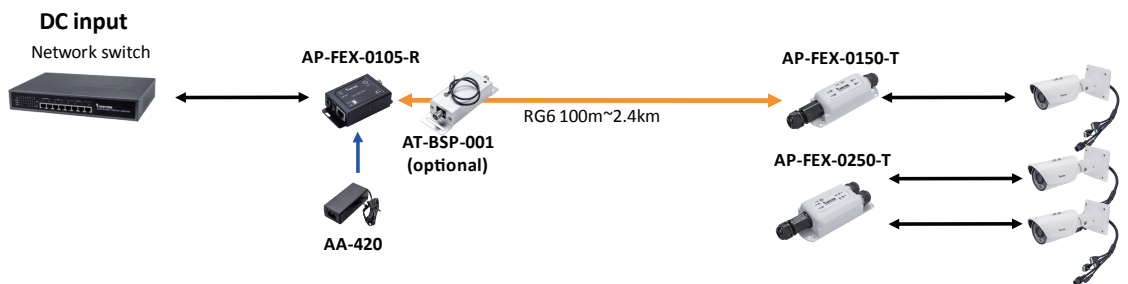
### PACKAGE CONTENTS

* 1x AP-FEX-0150/0250 EPoC module	* 1x Quick Installation Guide
-----------------------------------	-------------------------------

### ⚠ IMPORTANT:

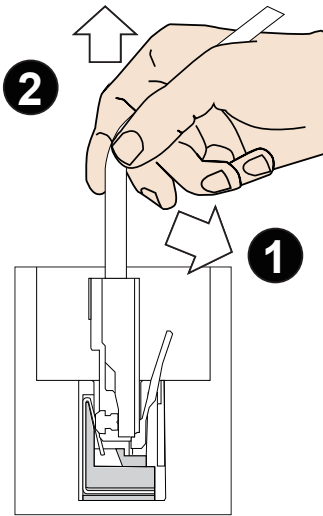
1. Use CAT5e or CAT6 UTP/STP cables and RG6 coaxial cables.
2. Please avoid using low quality cables, which will seriously limit the cabling distance and power delivery.
3. Make sure the power source is sufficient for your configuration.

### CONNECTION

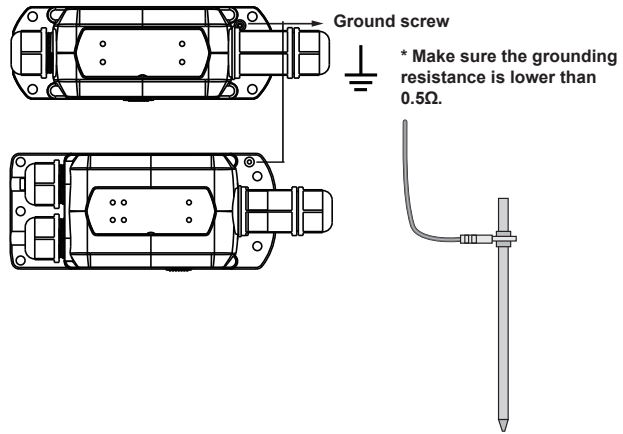


**NOTE:**

To disconnect a LAN cable, loosen the cable gland and pull the cable against the socket wall towards the side of the locking tab.



Connect a ground wire to the grounding position on the module.



**Distance/Power Chart**

AP-FEX-0150-T		
Length of Coaxial Cable	AA-420 65W	AP-GIC-011A-095 95W
300m	25.2W	18.1W
500m	17.64W	12.6W
800m	11.76W	8W
1200m	7.56W	5.1W
1200m ~ 2400m	Data only (100Mbps)	Data only (100Mbps)

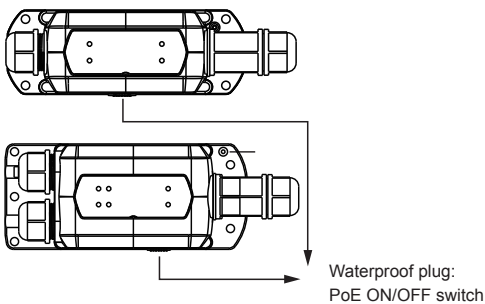
AP-FEX-0250-T		
Length of Coaxial Cable	AA-420 65W	AP-GIC-011A-095 95W
100m	20W per port	13W per port
300m	11.5W per port	8W per port
500m	8W per port	5W per port
500m ~ 2400m	Data only (100Mbps)	Data only (100Mbps)

**NOTE:**

1. The numberts comply using RG6 coaxial cables.
2. The length of network cable for camera connection is 100m CAT5e cable.
3. The power delivery will vary on the quality of coaxial cable due to resistance.

**LEDs**

RJ45	Yellow ON	PoE: port is suppling power to PD
	Green flash	LAN: Data is being transmitted or received.
	OFF	No connection
PWR	Green ON	Power is supplied
LINK	Green ON	Rx and Tx EPoC module is connected.



**DIP Switch**

DIP#	On	Deliver PoE output to PD.
	Off	No PoE output to PD.

All specifications are subject to change without notice.  
Copyright © 2018 VIVOTEK INC. All rights reserved.