

## CMA-A01 Installation Guide

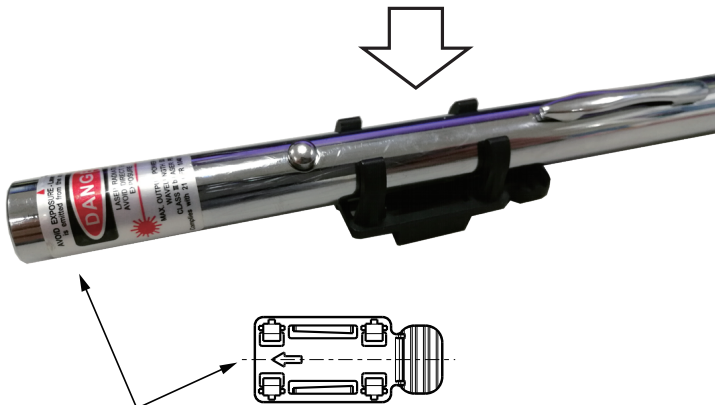
Rev. 1.0



### WARNING:

When using a laser pen, observe all necessary precautions such as using proper protective eyewear.

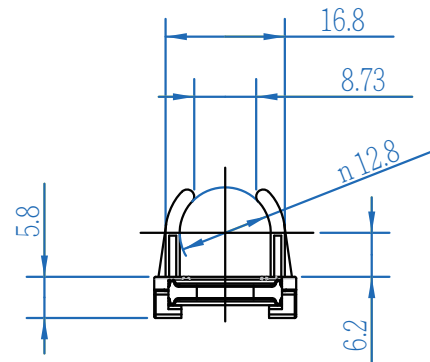
1. Snap a laser pen into the groove on the CMA-A01. A laser pen is user-supplied. Install the laser pen's emitter side following the arrow mark on the bracket.



Laser emitter at this side

Select a laser pen with an approximate diameter of 12.5mm.

Wrap plastic tape around a thinner pen.



2. Slide the combination into the slotted groove on the sides of a CaMate illuminator.



3. Use the laser beam to verify whether the IR illuminators can cover the target area. You can also use it to shine a beam on targets, and then measure the required distance for illumination.

